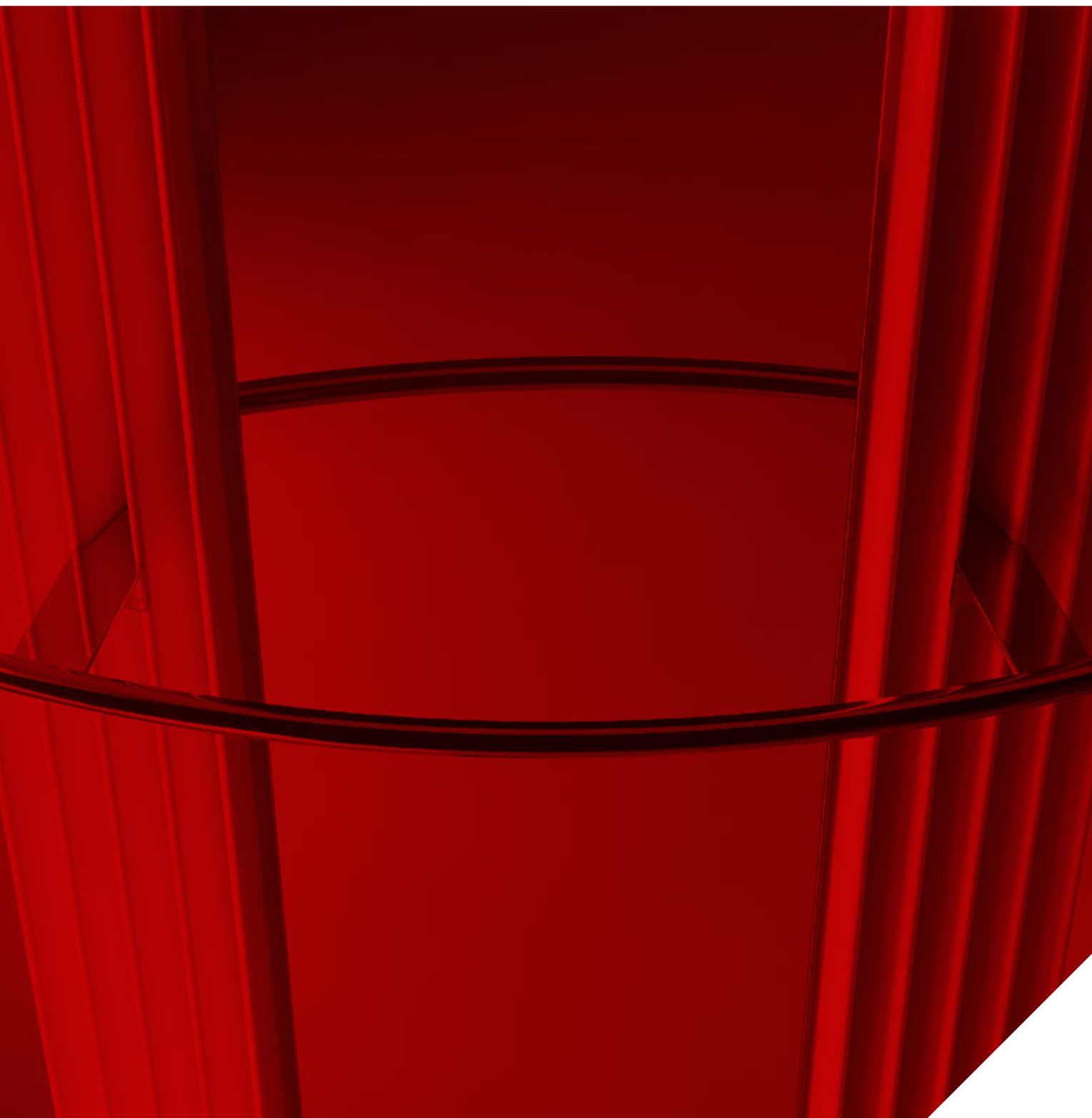


# jaga

CLIMATE DESIGNERS

Heating 

IGUANA ARCO & VISIO € 2021.EX



# jaga

CLIMATE DESIGNERS

## IGUANA ARCO & VISIO

Warmth with a symbolic value. Inspired by a child's drawing, an interpretation of the brightly shining sun, transformed into a fully functional work of art.

With the Iguana Arco and Visio the slim triangular radiant pipes are built with a slight curve, giving the Iguana a new look from any angle.

The Iguana Visio's many functions have been expanded by the addition of a mirror. Perfect for halls or bedrooms.

Also available as "Plus" version for low flow temperatures.



Top 10  
Design  
Award  
Winner  
2000

ISH1999  
DESIGN PLUS  
DAILY HEATING NEWS

IGUANA VISIO aluminium 006, optional towel rail





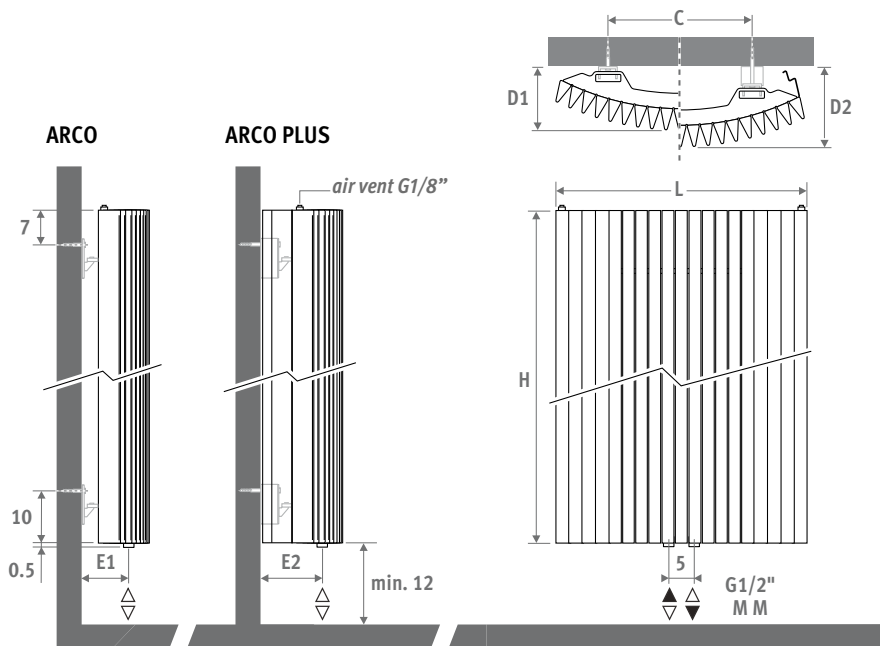
IGUANA ARCO & VISIO 

# IGUANA ARCO

DIMENSIONS (in cm)



## ARCO ARCO PLUS



L	C	D1	D2	E1	E2
29.8	10	10.1	14.1	4.1	8.1
41.0	20	11.1	16.1	5.1	10.1
51.9	30	12.7	17.7	6.7	11.7
62.5	40	12.2	17.2	6.2	11.2
73.3	50	13.7	18.7	7.7	12.7
83.9	60	15.7	20.7	9.7	14.7

### DELIVERY

- central connection MM underneath
- wall fixing
- 2 chrome-plated air vents G1/8"
- Iguana Plus is supplied with two side panels

### COLOURS

Environmentally friendly, scratch-resistant, high UV resistant powder coating.

Standard colours:

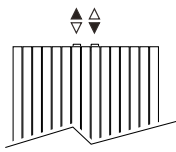
- traffic white RAL 9016 (333), smooth satin matt
  - sandblast grey (001), fine texture metallic
- Other colours: see colour chart.

### CONNECTION

Top connection: specify code 45 or 54 instead of MM (1° number is flow).

No insert pipe should be ordered. Provide an air vent on the central heating pipework.

One pipe connection: connection sets 41, 42, 48 or 49. Max. 2 radiators per heating ring.



### CONNECTION SETS

To guarantee the output of the Iguana models and to limit the pressure drop, Jaga recommends the use of 15/1 minimum diameter pipes.

#### Connection set to the wall with a Deco-Pro valve

TRV head and sleeve couplings included.



<b>set 48</b>	<b>BRUSHED STAINLESS STEEL</b>	€
	CODE.PW3.PS.1...	245,00
<b>set 41</b>	<b>CHROME</b>	€
	CODE.PW3.AW.1...	158,00
	CODE.PW3.AC.1...	172,00

fill in sleeve coupling code

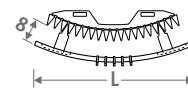
Precision metal tube 15/1	115
Precision metal tube 16/1	116
Precision metal tube 18/1	118
RPE/ALU tube 16/2	316
RPE/ALU tube 18/2	318

#### Other connections

See chapter "Connection sets and valves Eyecatchers" for all connection options and technical information

### OPTIONS

#### Towel rail / hat rack in chrome-plated aluminium



Hat rack consists of a towel rail and 5 coat hooks

CODE	L	L radiator	€
<b>Towel rail</b>			
9087.023550	55	41-51	230,00
9087.023656	66	62-73-83	230,00
<b>Hat rack</b>			
9087.024550	55	41-51	265,00
9087.024656	66	62-73-83	265,00



#### IGUANA WITH TOWEL RACK:

combines functionality with a high heat efficiency.

CODE	L	L radiator	€
<b>Hat rack</b>			
9087.024550	55	41-51	265,00
9087.024656	66	62-73-83	265,00



# IGUANA ARCO

## ARCO

code	height	length	colour	conn.
ARCW .	180	029 .	XXX	/MM
fill in colour code _____				

	Watts		€	€
	75/65	55/45	st. colour	other
<b>L H 180</b>				
029	791	394	536,00	643,00
041	1079	538	699,00	838,00
051	1366	681	864,00	1036,00
062	1654	824	1028,00	1233,00
073	1941	967	1191,00	1430,00
083	2229	1111	1354,00	1625,00

	Watts		€	€
	75/65	55/45	st. colour	other
<b>L H 192</b>				
029	813	406	556,00	666,00
041	1109	554	727,00	872,00
051	1404	701	897,00	1076,00
062	1700	849	1068,00	1281,00
073	1995	996	1239,00	1487,00
083	2291	1144	1410,00	1692,00

	Watts		€	€
	75/65	55/45	st. colour	other
<b>L H 200</b>				
029	826	413	569,00	682,00
041	1127	564	745,00	894,00
051	1427	714	921,00	1104,00
062	1727	864	1095,00	1314,00
073	2028	1014	1271,00	1525,00
083	2328	1164	1447,00	1737,00

	Watts		€	€
	75/65	55/45	st. colour	other
<b>L H 220</b>				
029	858	431	602,00	721,00
041	1170	587	789,00	947,00
051	1482	744	976,00	1172,00
062	1794	900	1165,00	1398,00
073	2106	1057	1352,00	1622,00
083	2418	1213	1540,00	1848,00

	Watts		€	€
	75/65	55/45	st. colour	other
<b>L H 240</b>				
029	886	446	633,00	761,00
041	1208	608	833,00	1000,00
051	1530	770	1033,00	1240,00
062	1852	932	1233,00	1479,00
073	2174	1094	1433,00	1719,00
083	2496	1256	1632,00	1958,00

## ARCO PLUS

code	height	length	colour	conn.
ARPW .	180	029 .	XXX	/MM
fill in colour code _____				

	Watts		€	€
	75/65	55/45	st. colour	other
<b>L H 180</b>				
029	999	492	696,00	835,00
041	1362	670	908,00	1091,00
051	1725	849	1123,00	1347,00
062	2088	1027	1336,00	1603,00
073	2452	1207	1548,00	1857,00
083	2815	1385	1760,00	2113,00

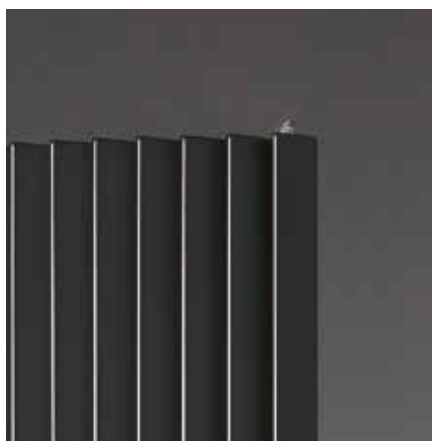
	Watts		€	€
	75/65	55/45	st. colour	other
<b>L H 192</b>				
029	1046	516	723,00	867,00
041	1427	704	946,00	1134,00
051	1807	892	1166,00	1399,00
062	2187	1080	1388,00	1667,00
073	2568	1268	1611,00	1933,00
083	2948	1455	1833,00	2200,00

	Watts		€	€
	75/65	55/45	st. colour	other
<b>L H 200</b>				
029	1076	532	739,00	887,00
041	1467	726	968,00	1162,00
051	1858	919	1197,00	1436,00
062	2249	1112	1423,00	1709,00
073	2641	1306	1652,00	1983,00
083	3032	1500	1881,00	2258,00

	Watts		€	€
	75/65	55/45	st. colour	other
<b>L H 220</b>				
029	1146	569	782,00	937,00
041	1563	777	1025,00	1230,00
051	1980	984	1269,00	1523,00
062	2397	1191	1514,00	1817,00
073	2813	1398	1757,00	2109,00
083	3230	1605	2001,00	2402,00

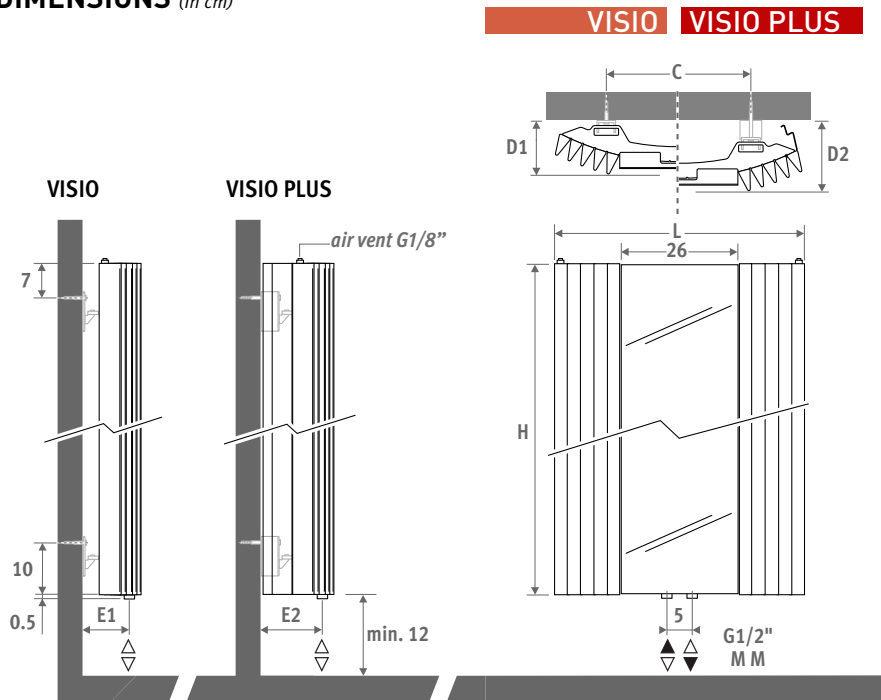
	Watts		€	€
	75/65	55/45	st. colour	other
<b>L H 240</b>				
029	1210	604	824,00	989,00
041	1650	824	1084,00	1301,00
051	2090	1043	1343,00	1612,00
062	2530	1263	1603,00	1923,00
073	2970	1483	1862,00	2235,00
083	3410	1702	2122,00	2545,00

EN442 output at 20°C room temperature



# IGUANA VISIO

**DIMENSIONS** (in cm)



L	C	D1	D2	E1	E2
51.9	30	10.5	15.5	6.7	11.7
62.5	40	11.0	16.0	6.2	11.2
73.3	50	12.5	17.5	7.7	12.7

## DELIVERY

- central connection MM underneath
- wall fixing
- 2 chrome-plated air vents G1/8"
- Iguana Plus is supplied with two side panels

## COLOURS

Environmentally friendly, scratch-resistant, high UV resistant powder coating.

Standard colours:

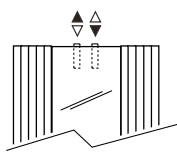
- traffic white RAL 9016 (333), smooth satin matt
  - sandblast grey (001), fine texture metallic
- Other colours: see colour chart.

## CONNECTION

Top connection: specify code 45 or 54 instead of MM (1° number is flow).

No insert pipe should be ordered. Provide an air vent on the central heating pipework.

One pipe connection: connection sets 41, 42, 48 or 49. Max. 2 radiators per heating ring.



## CONNECTION SETS

To guarantee the output of the Iguana models and to limit the pressure drop, Jaga recommends the use of 15/1 minimum diameter pipes.

### Connection set to the wall with a Deco-Pro valve

TRV head and sleeve couplings included.



set 48

**BRUSHED STAINLESS STEEL** €



CODE.PW3.PS.1... 245,00

set 41

**CHROME** €



CODE.PW3.AW.1... 158,00



CODE.PW3.AC.1... 172,00

fill in sleeve coupling code

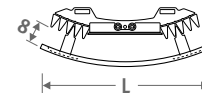
Precision metal tube 15/1	115
Precision metal tube 16/1	116
Precision metal tube 18/1	118
RPE/ALU tube 16/2	316
RPE/ALU tube 18/2	318

## Other connections

See chapter "Connection sets and valves Eyecatchers" for all connection options and technical information

## OPTIONS

### Towel rail / hat rack in chrome-plated aluminium



Hat rack consists of a towel rail and 5 coat hooks

CODE	L	L radiator	€
<b>Towel rail</b>			
9087.023550	55	51	230,00
9087.023656	66	62-73	230,00
<b>Hat rack</b>			
9087.024550	55	51	265,00
9087.024656	66	62-73	265,00



## IGUANA WITH TOWEL RACK:

combines functionality with a high heat efficiency.

CODE	L	L radiator	€
<b>Hat rack</b>			
9087.024550	55	41-51	265,00
9087.024656	66	62-73-83	265,00





40% more warmth

## VISIO

code	height	length	colour	conn.
<b>VISW .</b>	<b>180</b>	<b>051 .</b>	<b>XXX</b>	<b>/MM</b>
fill in colour code _____				

	Watts 75/65	Watts 55/45	€ st. colour	€ other
<b>L H 180</b>				
<b>051</b>	719	357	<b>742,00</b>	<b>890,00</b>
<b>062</b>	1007	502	<b>885,00</b>	<b>1062,00</b>
<b>073</b>	1294	645	<b>1016,00</b>	<b>1218,00</b>
<b>L H 200</b>				
<b>051</b>	751	376	<b>787,00</b>	<b>943,00</b>
<b>062</b>	1051	526	<b>941,00</b>	<b>1130,00</b>
<b>073</b>	1352	676	<b>1083,00</b>	<b>1299,00</b>
<b>L H 220</b>				
<b>051</b>	780	391	<b>832,00</b>	<b>999,00</b>
<b>062</b>	1092	548	<b>998,00</b>	<b>1198,00</b>
<b>073</b>	1404	705	<b>1148,00</b>	<b>1378,00</b>

## IGUANA VISIO

### VISIO PLUS

code	height	length	colour	conn.
<b>VIPW .</b>	<b>180</b>	<b>051 .</b>	<b>XXX</b>	<b>/MM</b>
fill in colour code _____				

	Watts 75/65	Watts 55/45	€ st. colour	€ other
<b>L H 180</b>				
<b>051</b>	908	447	<b>964,00</b>	<b>1157,00</b>
<b>062</b>	1271	625	<b>1151,00</b>	<b>1381,00</b>
<b>073</b>	1634	804	<b>1320,00</b>	<b>1584,00</b>
<b>L H 200</b>				
<b>051</b>	978	484	<b>1023,00</b>	<b>1227,00</b>
<b>062</b>	1369	677	<b>1224,00</b>	<b>1469,00</b>
<b>073</b>	1760	871	<b>1407,00</b>	<b>1688,00</b>
<b>L H 220</b>				
<b>051</b>	1042	518	<b>1082,00</b>	<b>1299,00</b>
<b>062</b>	1459	725	<b>1297,00</b>	<b>1556,00</b>
<b>073</b>	1876	932	<b>1494,00</b>	<b>1792,00</b>

EN442 output at 20°C room temperature



**jaga**  
CLIMATE  
DESIGNERS

Jaga International  
Verbindingslaan 16  
B-3590 Diepenbeek

Tel.: +32 (0)11 29 41 12  
Fax: +32 (0)11 29 41 60  
export@jaga.com

The information in this price list is correct at the time of printing.  
Jaga reserves the right to change product specification at any time in line  
with our policy of continuous improvement and innovation.  
All prices in Euro, exclude VAT. Prices valid from February 1, 2021.  
Replaces all existing price lists.