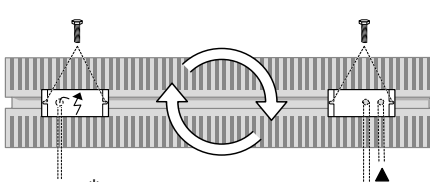
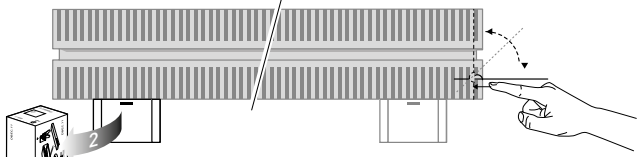


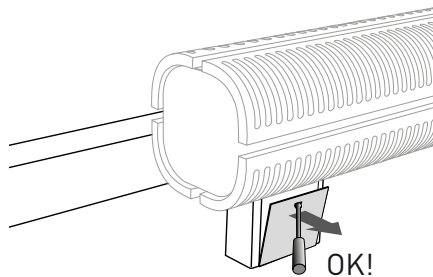
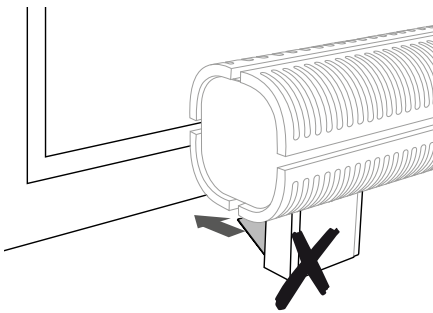
- use the supplied adapter. A 12V DC supply can be used
- standard connection right

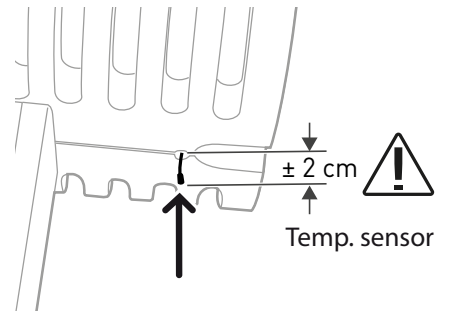
- push the bottom of the flap to enter the valve

Aansluiten

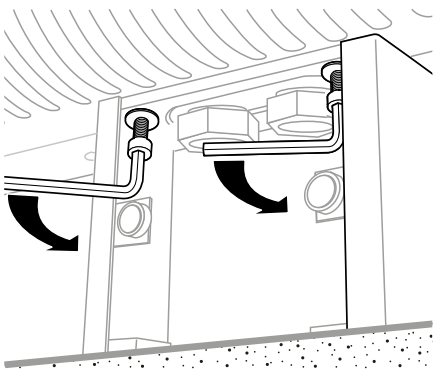
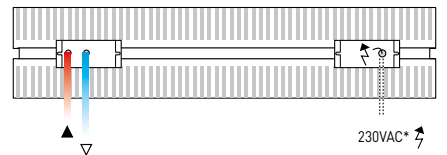
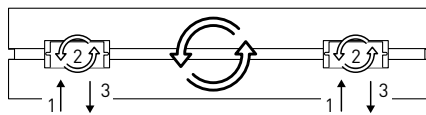
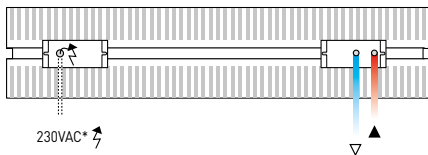
Install the unit with the connecting side toward the inside of the room.



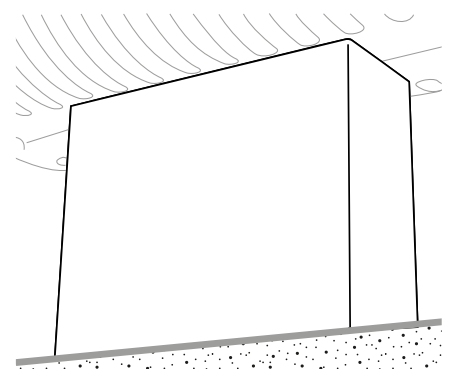
The temperature sensor must extend 2 cm below the unit



Hydraulic connections to the LHS: R ↻ 180° ↻ L



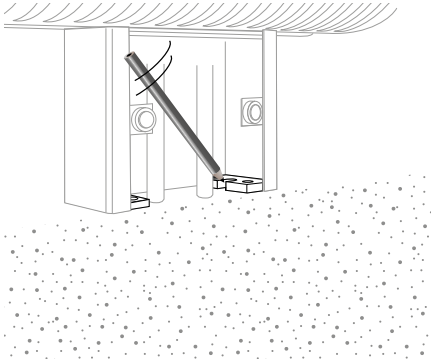
Hydraulic connections to the left:
Rotate the feet 180°



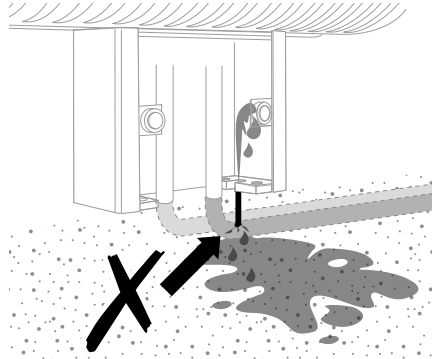
Installation must only be carried out by skilled technicians. Incorrect installation could cause the unit to run badly, with a consequent deterioration in performance. Always use personal protective equipment.

A

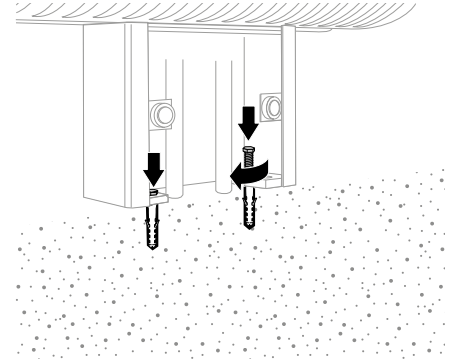
Hydraulic connections



Mark the attachment points on the floor according to the mounting holes of the device



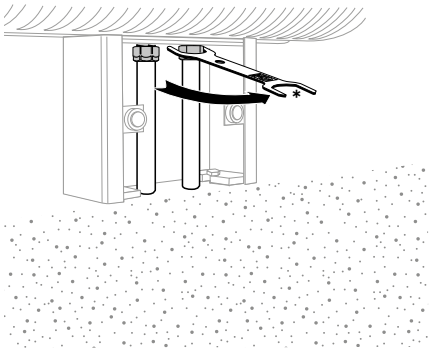
! ATTENTION: when drilling holes do not damage hidden pipes and wiring.



The type of floor determines what type of screw or plug should be used

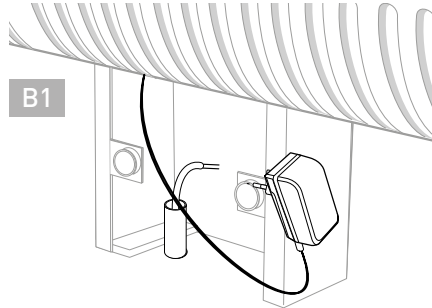
B

Adapter



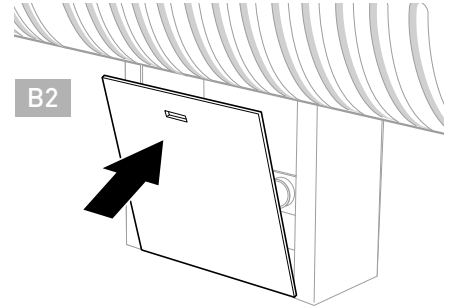
Drain cock, air vent and valve are tightened up in the Jaga factory by hand. While filling the installation, control on leaks.

* JAGA Pro-key: Code: 5090.1120



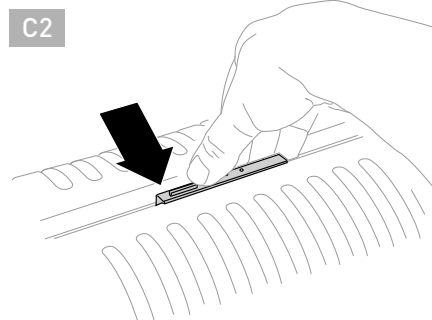
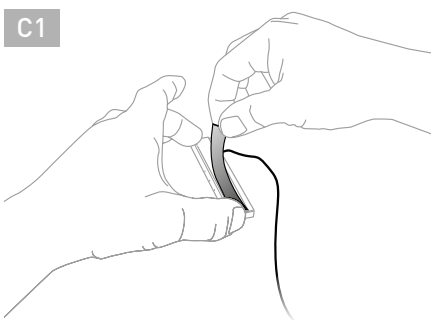
Use the supplied Jaga adapter.

- a 12V DC supply can be used
- Consumption at least 1 Watt per unit
- Install according to the national installation standards.

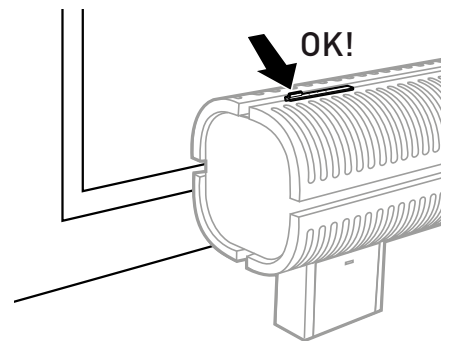


C

Control panel



Degrease the surface for mounting of the Control Panel. Stick the Control Panel, press 10 seconds.



Install the control panel with the tape facing the inside of the room

Maintenance

Always use the mains switch to isolate the unit from the mains before carrying out any maintenance work on the unit, even if it is for inspection purposes only. Lock the master switch in zero position.

- maintenance must only be carried out by qualified technicians. The frequency of the cleaning is dependent on the concentration of dust or dirt into the room. Use suitable work gloves.
 - use a vacuum cleaner to clean the heat exchanger and the ventilator.
 - clean the casing with a soft cloth dampened with water and a little dish soap. Do not use products based on solvents and detergents. The wooden casing may be treated with a neutral cleaner. Jaga recommends using the supplied cleaner „Proterra GR 1900“: more info, see www.hesse-lignal.de.
- if one fan stops working, the entire DBE unit must be replaced. Contact your installer.
- incorrect positioning or installation of the unit may amplify noise levels and vibrations generated during operation.
- do not insert (sharp) objects through the air flow or intake grilles

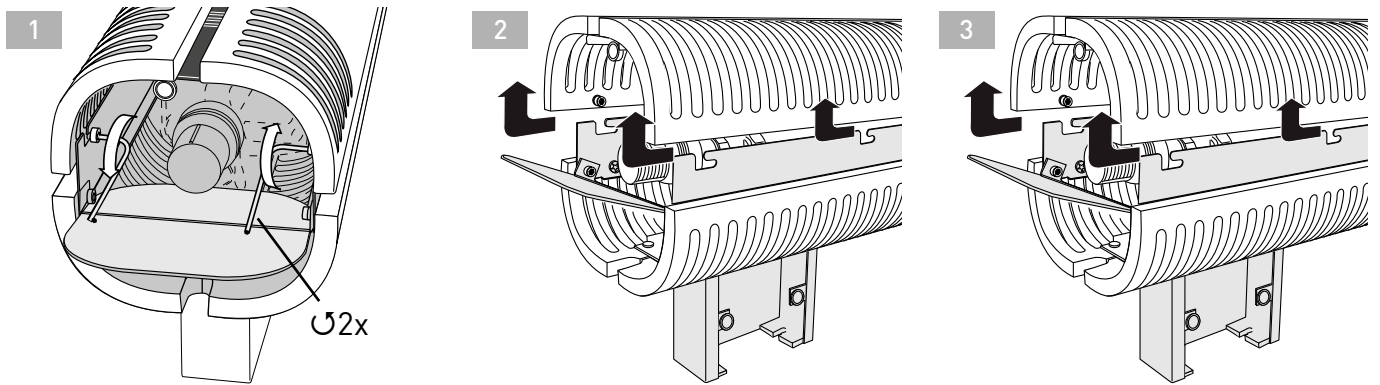
Checking whether there is air in the water system.

- start the system for a few minutes
- stop the system
- loosen the vent screw on the inlet collector and bleed it
- repeat the operation several times until air is no longer released from the system.

Routine maintenance: cleaning the heat exchanger and the DBE units:

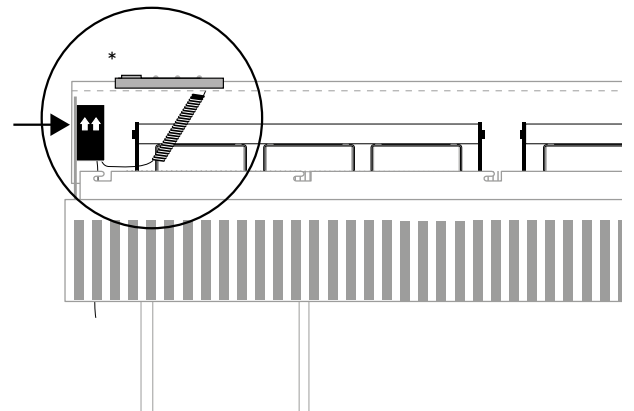
The top part of the coating may be removed to clean the heat exchanger and the DBE units. Follow steps 1, 2, and 3.

* **ATTENTION !** the control panel is connected to the control unit by means of a coiled cable , do not break the connection or do not damage the cable.



Before starting up the unit, check if:

- the unit is positioned correctly
- the supply and return pipes of the hydraulic unit are connected and insulated properly;
- the pipes are clean and bled
- the heat exchanger and DBE units are clean
- the wiring connections are correct
- the screws that secure the conductors are clamped
- the supply voltage is correct



adjusting room temperature / water temperature: see the DBEC.11 manual on www.jaga.com

Room-temperature has been factory set at 21°C

Water-temperature has been factory set at 28°C



jaga

Knockonwood DBE KNUF

Mounting manual instructions

The letters 'CE' appear on our products traded on the extended Single Market in the European Economic Area (EEA). They signify that products sold in the EEA have been assessed to meet high safety, health, and environmental protection requirements.

Packaging and components

Follow these instructions to remove the packaging:

- check for any visible damage
- open the packaging
- check if the manuals are in the package
- remove the packaging material and dispose it in the appropriate collection points or recycling facilities, in compliance with the local regulations



SAFEGUARD THE ENVIRONMENT

Dispose of the packaging materials in compliance with the national or local legislation.

Instruction for transport

Handling guidelines:

ATTENTION!

- movement of the unit must be performed with care, in order to avoid damage to the external structure and to the internal mechanical and electrical components
- also make sure that there are no obstacles or people along the route, in order to prevent the risk of impact, crushing or tipping the lifting device
- always use personal protective equipment
- all the operations listed below must be carried out in accordance with current health and safety regulations, with reference to the equipment used as well as the procedures followed
- if the unit weighs more than 30 kg and is to be handled manually, this must be carried out by two persons
- packaged units can be stored by stacking a maximum of four on top of each other and must be stored in a dry area.

The manufacturer is not responsible for:

Fundamental, radical changes should always in consultation with, and to be carried out after obtaining written permission from by Jaga n.v. Also, the risk analysis should be completely or partially re-created.

All changes, which could bring adverse change in the strength, stability, health or safety should be carried out in consultation and with written approval from the manufacturer. If there are nevertheless substantial changes are made without consultation mentioned, liability expires for JAGA N.V.

Before starting up the unit, check if:

Before starting up, make sure the installation and electrical connections have been carried out in compliance with the instructions in this manual. Also make sure that there are no unauthorised persons in the vicinity of the unit during the above operations.

- the unit is positioned correctly
- the supply and return pipes of the hydraulic unit are connected and insulated properly;
- the pipes are clean and bled
- the heat exchanger an DBE units are clean
- the wiring connections are correct
- the screws that secure the conductors are clamped
- the supply voltage is that required



Certification only for
oak natural,
beech natural,
maple natural,
oak bleached,
beech bleached,
oak wenge-colour

The mark of
responsible forestry

Installation guidelines

Installation must only be carried out by skilled technicians. Always use personal protective equipment.

ATTENTION! Incorrect installation could cause the unit to run badly, with a consequent deterioration in performance.

- the unit is only to be installed in domestic or similar environments.
- it is prohibited to insert objects through the air inlet and outlet vents.
- installing and / or using the Jaga Knockonwood DBE is prohibited in explosive atmospheres or areas where there is due to gases, vapours or dust explosion
- when the unit is not used for long periods of time, it must be disconnected from the mains by opening the mains switch of the system, set in place by the installer.

The unit is not designed to be installed (IEC EN 60335-2-40):

- outside
- in areas exposed to frost
- in wet areas
- in areas where there is due to gases, vapours or dust explosion

Follow these installation guidelines:

- mark the attachment points on the floor according to the mounting holes of the device. When drilling holes, do not damage hidden pipes and wiring.
- the type of floor determines what type of screw or plug should be used

Hydraulic connections:

It is very important for the water connections to be installed with care by qualified personnel.

- connect the unit to the hydraulic system with the indicated inlet/outlet connections. Make sure the connections are air tight with a sealant.
- the heat exchanger is equipped with an air vent

Once installation is complete:

- bleed the air contained in the circuit
- make sure that there are no water leaks. Drain cock, air vent and valve are tightened up in the Jaga factory by hand. While filling the installation, control on leaks.

Electrical connections:

The electrical connection of the unit must be carried out by qualified personnel, in compliance with the regulations applicable in the country where the unit is installed. Non-conforming electrical connections releases Jaga N.V. from liability concerning damage to objects and persons. Use the supplied Jaga power supply.

- an installation that does not include the recommended free spaces, resulting in difficulty in maintenance and reduced performance.

Regular maintenance

Maintenance: cleaning at regular interval is important, (at least once a year), depending on the use and function of the room

Always use the mains switch to isolate the unit from the mains before carrying out any maintenance work on the unit, !!

- use a vacuum cleaner to clean the heat exchanger and the ventilator.
- clean the casing with a soft cloth dampened with water and a little dish soap. Do not use products based on solvents and detergents. The wooden casing may be treated with a neutral cleaner. Jaga recommends using the supplied cleaner „Proterra GR 1900“: more info, see www.hesse-lignal.de.
- if one fan stops working, the entire DBE unit must be replaced. Contact your installer.

Checking whether there is air in the water system.

- start the system for a few minutes
- stop the system
- loosen the vent screw on the inlet collector and bleed it
- repeat the operation several times until air is no longer released from the system.