



**jaga**



*TOP  
PERFORMERS*

**QUATRO CANAL**

€ 2019.EX



# QUATRO CANAL

Super-powered climate control for 4-pipe systems

## **Heating, cooling, ventilation.**

Despite its compact dimensions, the Quatro Canal is a powerful main heating system, cooling unit and ventilation system, all in one. Quatro Canal provides the highest possible climate comfort quietly powerfully, and unobtrusively.

## **Compact and silent**

The high-techdynamic 4-pipe heat exchanger and the thermal activator provide an effortless transition from heating to cooling or vice versa. They have been designed to deliver a very high heat output and are perfect to provide effective cooling with dry as well as wet cooling systems.

Using the latest EC motors enables Quatro Canals to consume up to 50% less electrical energy than traditional motors, and enables remote control using the latest home automation and building management systems.

Suitable for non-condensing and condensing cooling with chilled water

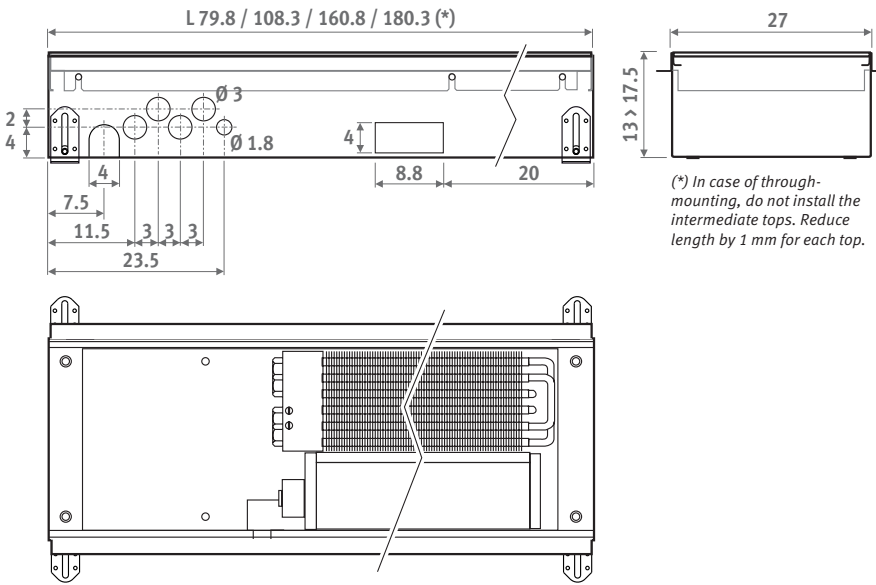




# QUATRO CANAL - SUMMARY



## DIMENSIONS (in cm)



(\* In case of through-mounting, do not install the intermediate tops. Reduce length by 1 mm for each top.

## ORDERING CODE

code	height	length	width	grille
QUAF . 013	080	27	/XXX	
enter grille code ↓				

## STANDARD DELIVERY

- casing in Sendzimir-galvanised steel sheet (RAL7024) with height adjustment and stainless steel grille support
- anodized aluminium grille(s)
- dynamic heat exchanger with separate circuits and stainless steel flexible connections 1/2", length 15
- tangential EC thermic activator(s)

With energy efficient EC motor

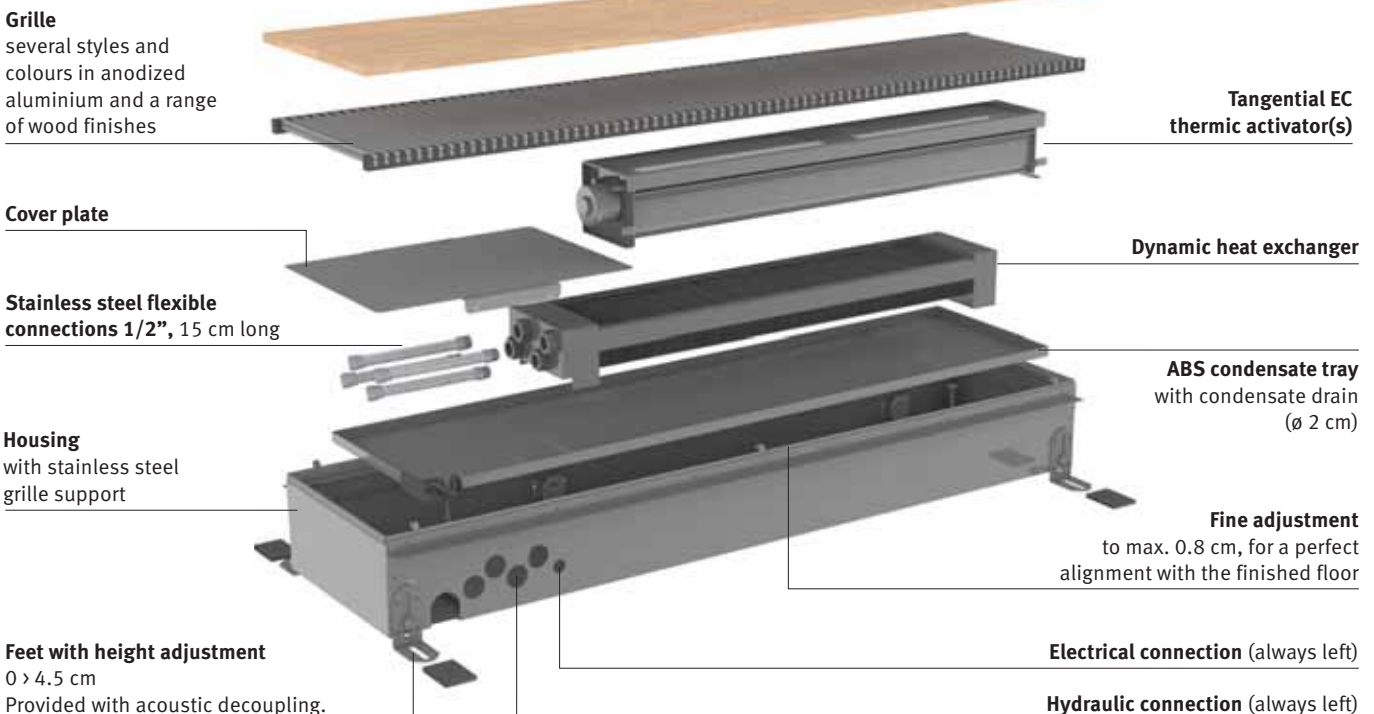
## HYDRAULIC CONNECTION

- the 4-pipe heat exchanger with one-sided connection on the left always has to be connected to an installation with two separated hydraulic systems
- always install Micro Canal with the heat exchanger on the window or wall side
- 2 x 1/2" stainless steel hose included
- allow extra space for curtains, in between the window and the canal.
- The heat exchanger must always be kept accessible for maintenance purposes
- if the appliance is not mounted flat on the floor, the space between the bottom of the appliance and the floor should be filled with a stable filler material.

## ELECTRICAL CONNECTION

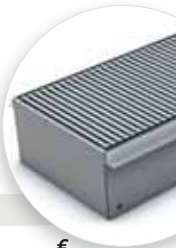
- clamp connector for 24 VDC electrical connection, left side, to be connected via external power supply.
- speedcontrol activator(s) 0-10 V

## COMPOSITION



# QUATRO CANAL

QUAF. 013 080 27/ BNA



HEATING									COOLING											
Watts 75/65/20°C			Watts 55/45/20°C			Watts 35/30/20°C			Watts total 7/12°C - 27°C D.B. 50% R.H.			Watts sensible 7/12°C - 27°C D.B. 50% R.H.			€ BNA BON BBN	€ BNC/XXX	€ BOV BBV			
max.	med.	min.	max.	med.	min.	max.	med.	min.	max.	med.	min.	max.	med.	min.						
H	L	B																		
013	80	27	1126	962	590	676	577	354	282	241	148	544	432	230	370	290	150	905,30	1041,20	995,90
	110		1936	1654	1015	1162	993	609	484	414	254	935	742	396	636	498	258	1097,10	1261,50	1207,00
	160		3394	2900	1779	2037	1740	1067	849	725	445	1639	1301	694	1116	874	453	1587,90	1825,90	1746,50
	180		4255	3635	2229	2553	2181	1338	1064	909	557	2055	1631	870	1398	1095	567	1758,40	2022,20	1934,50

Tested at HLK Stuttgart according to new standard EN 16430:2015

## TECHNICAL DATA

			FAN	SOUND PRESSURE**			RATED INPUT			AIR FLOW	WATER FLOW	
			Number	dB(A)			Watts			m³/h	l/h	l/h
				max.*	med.*	min.*	max.*	med.*	min.*	max.*	heating max.*	cooling max.*
H	L	B										
013	80	27	1	38	35	19	8.5	5.2	1.9	90	97	94
	110		1	39	36	24	14.0	8.2	2.3	170	167	161
	160		2	41	38	25	22.0	14.1	4.3	260	293	283
	180		2	42	39	26	28.0	18.0	4.9	340	367	354

\*\* Noise measurement according to ISO 3741:2010 with an assumed room attenuation of 8 dB(A) / room volume 75 m³ / reverberation time 0.5 sec.

\* max. 10 VDC / med. 8 VDC / min. 4 VDC

Correction factors & pressure drop: see "Technical info" chapter

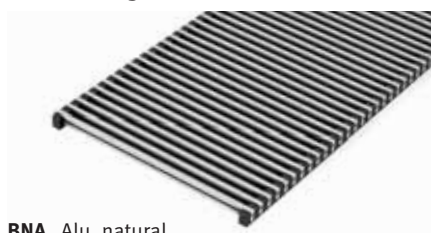
## OVERVIEW GRILLES

### Wooden grilles



**BON** Oak  
**BOV** Oak varnished

### Aluminium grilles



**BNA** Alu. natural



**BBN** Beech  
**BBV** Beech varnished



**BNC/XXX** Alu. lacquered



To ensure perfect adherence of the lacquer coating, an extremely wear-resistant and UV-resistant polyester lacquer coating of the highest quality is used.

Only in glossy (code 2..) and special colours 006, 005, 026, 028.



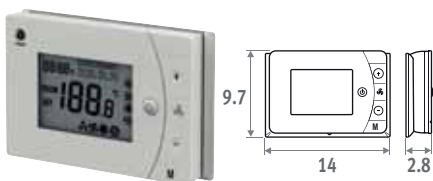
# QUATRO CANAL - OPTIONS

## CLOCK THERMOSTATS HEATING / COOLING

The general characteristics in bold below are valid for the thermostats 8751.050013 - 8751.050012 - 8751.050009

- automatic thermostat for 2-pipe: heating/cooling or auto
- ventilator speed: min./med./max. or auto
- power supply 24 VDC
- output control(s) 0-10 VDC
- 1 clock thermostat per room
- programmable zones
- LCD display with background lighting
- protection category IP30

### Jaga clock thermostat for wall mounting



- 2 potential-free contacts heating/cooling (f.e. valve control 24 VDC or 230 VAC)
- with key card contact / window contact
- can be mounted on a junction box with screw holes at 6 cm

CODE		€
8751.050013	wall mounted	76,30

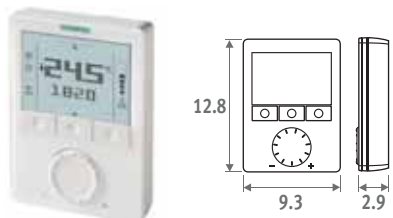
### Jaga clock thermostat for recessed/panel mounting



- control valves 24 VDC heating/cooling
- thermostat to be mounted in a junction box
  - spacing holes at 6 cm
  - minimum depth 4.5 cm
  - inner dimension 5 x 5 cm or Ø 6 cm

CODE		€
8751.050012	recessed/panel mounted	80,90

### Siemens clock thermostat for wall mounting



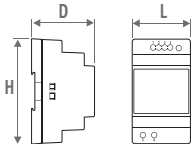
- unlimited adjustment possibilities: 74 features and diagnostic test
- For more information contact Jaga  
☎ +32 11 29 41 12 - ✉ export@jaga.be  
or your local dealer.

CODE		€
8751.050009	wall mounted	239,60

## POWER SUPPLY DIN-RAIL MONTAGE



The guarantee is only valid if the original Jaga power supply is used.



CODE	H	L	D
7990.054	9.0	3.5	5.9
7990.055	9.0	5.3	5.9
7990.056	9.0	7.0	5.9
7990.053	12.5	12.6	8.3

- for DIN-rail or wall mounting
- conformity UL60950 / UL508 / IEC 60950-1 / TUV EN61558-2-16 / Class 2
- output voltage 24 VDC / input 100 - 240 VAC
- screw connection and LED indicator

CODE	Output Watts	Output current A	€
7990.054	36	1.5	36,90
7990.055	60	2.5	49,80
7990.056	92	3.9	71,80
7990.053	240	10	157,50

Required power = sum of the power consumption of the devices

## MAXIMUM CABLE LENGTH

in function of the number of devices: see <http://www.jaga.com/en/products/trench-heating/quatro-canal>

## SEPARATE POWER SUPPLY

Waterproof power supply 24 VDC/30 Watt with waterproof cable gland.



Not suitable for installation in the floor duct.

- conformity: UL60950 - EN 60950 / Class 2
- output voltage 24 VDC
- input voltage 100 - 240 VAC
- dimensions L 14.5 x B 4.5 x H 3.0 cm

CODE	output Watts	Output current A	€
37603.010002	30	1.25	71,80

## PRE-ASSEMBLED JAGA DYNAMIC PRODUCT CONTROLLER (JDPC)

Multifunctional controller for dynamic heating and cooling devices provided with one or more built-in fans. The Jaga Dynamic Product Controller is pre-configured and assembled inside the device. The configuration options are device dependent, and are selected using the code shown on the sticker in the device.

- control per appliance
- control with operation and with sensor for water temperature, pre-configured and assembled by Jaga
- power supply 24 VDC
- ventilator settings:
  - o standby
  - o heating: 3 speeds (operates at water temperature >28°C, can easily be modified)
  - o cooling: 3 speeds (operates at water temperature <18°C, can easily be modified)
- 0-10 V input for building management system/thermostats/DPC.QU72

For more information contact Jaga

☎ +32 11 29 41 12 - ✉ export@jaga.be  
or your local dealer.

CODE		€
DPC.QU25	Heating and cooling	74,00



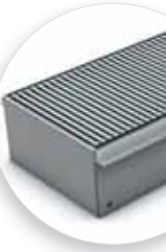
Touch operation

Product controller

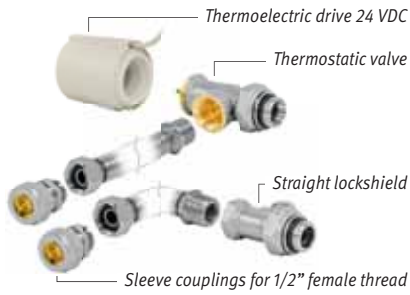
## RECOMMENDED COMBINATIONS

	Heating and/or cooling	
	Including thermostat for readjustment	Excluding thermostat
<b>Product</b>	Quatro Canal	Quatro Canal
<b>Regulation</b>	Thermostat heating / cooling Ordering code 8751.050009	Pre-mounted JDPC with control panel DPC.QU25 for heating and cooling
<b>Power supply</b>	Power supply: ordering code 37603.010002	Power supply: ordering code 37603.010002
<b>Connection set</b>	Connection set 97 with 24 VDC 0-10V motor CODY.JA4.10.2... <i>fill in sleeve coupling code: see p. 325)</i>	Connection set 99 with 2 lockshields CODY.LOM.00.2... <i>fill in sleeve coupling code: see p. 325)</i>

# OPTIONS - QUATRO CANAL



## CONNECTION SET WITH JAGA TWO-WAY VALVE 24 VDC



- 24 VDC thermolectric drive
- valve G1/2" x G1/2" 90°
- lockshield G1/2" x G1/2" 180°
- pressure drop graph Jaga valve: see p. 160

set 97

**Kv max. 0.6**  
**TWO PIPE**

€

CODY.JA4.24.2...	24 VDC	77,70
CODY.JA4.10.2...	0...10 VDC	149,40

set 98

**Kv 1.0 - without Pre-setting**  
**TWO PIPE**

€

CODY.WA4.24.2...	24 VDC	79,80
CODY.WA4.10.2...	0...10 VDC	151,50

fill in sleeve coupling code:  
see shaded table beside

## CONNECTION SET WITH 2 LOCKSHIELDS G 1/2"



set 99

CODY.LOM.00.2... **34,30**

fill in sleeve coupling code:  
see shaded table beside

## JAGA TWO-WAY VALVE AND THERMOELECTRIC DRIVE 230V

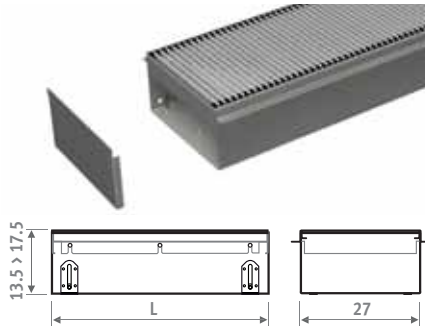


- only for mounting on the distributor, not in the Quatro Canal
- with varistor to protect against power surge
- with position indicator (open/closed)

CODE	Description	€
7990.409	180° - G1/2" F / NG 230V 2Watts	83,30
7990.411	180° - G3/4" F / NG 230V 2Watts	94,00

## EMPTY HOUSING

To fill open spaces for a continuous installation.



- aluminium or wooden grille
- casing with stainless steel grille support
- height adjustment and fine adjustment for alignment with the finished floor
- cover plate

ORDERING CODE

code	height	length	width	grille
QUAD. 013	080	080	27	/BNA

L	BNA BON BBN	BNC/XXX	BOV BBV
080	404,90	465,60	445,40
110	447,30	514,40	492,20
160	564,90	649,80	621,40
180	623,80	717,30	686,00

## CORNER PIECE



- aluminium grille natural or lacquered
- housing with stainless steel grille support
- height adjustment
- fine adjustment for alignment with the finished floor

CODE €

QUAD.013 039 27/BNA	Alu. natural	453,10
QUAD.013 039 27/BNC/ ...	Alu. lacquered	520,60

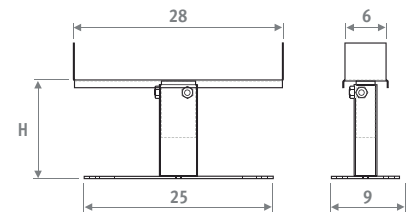
enter colour code

## SLEEVE COUPLINGS G1/2"

PRECISION METAL TUBE		SYNTHETIC TUBE	
CODE	Tube Ø	CODE	Tube Ø
110	10/1	212	12/2
112	12/1	214	14/2
114	14/1	219	16/1.5
115	15/1	216	16/2
116	16/1	217	17/2
118	18/1	218	18/2

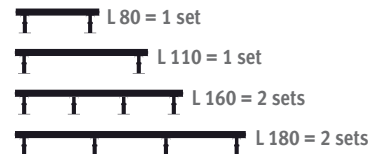
RPE/ALU TUBE		STEEL TUBE FOR C.H.	
CODE	Tube Ø	CODE	Tube Ø
314	14/2	502	1/2" x 1/2"
316	16/2	504	1/2" x 3/8"
326	16/2.2	Surcharge: 2,50€	
318	18/2		

## FEET WITH HEIGHT ADJUSTMENT FOR RAISED FLOORS

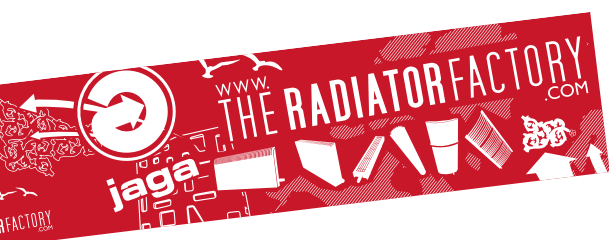


- lacquered in dark grey RAL 7024.
- easy installation by means of screws
- 1 set includes 2 height adjusting controls

## Number of sets per Quatro Canal



CODE	H	€/set
5208.05070000	5 > 7 cm	62,20
5208.08130000	8 > 13 cm	63,20
5208.13230000	13 > 23 cm	66,10
5208.20300000	20 > 30 cm	67,50



Jaga International  
Verbindingslaan 16  
B-3590 Diepenbeek

Tel.: +32 (0)11 29 41 12  
Fax: +32 (0)11 29 41 60  
export@jaga.com

The information in this price list is correct at the time of printing.  
Jaga reserves the right to change product specification at any time in line  
with our policy of continuous improvement and innovation.  
All prices in Euro, exclude VAT. Prices valid from 1st January 2019.  
Replaces all existing price lists.