



jaga



Energy
SAVERS
LOW-H₂O
PLAY
€ 2019.EX



Energy
SAVERS
LOW-H₂O

PLAY

Playful warmth, colourful comfort

- Completely pre-assembled and mounted casing, consisting of painted MDF panels with aluminium spacer rings.
- Standard pencil-proof grille, to prevent small objects or waste falling into the casing.
- Optional protective base grille.
- Integrated valve with thermostat in the front panel.
- Connections can be completely concealed within the casing.
- Low-H₂O technology with super conductive and ultra fast heat exchanger for low energy consumption and maximum heat emission.
- Twin Power for better compensation of the downward cold air flow next to glazed façades or ventilation grilles.
- DBE model for super-low water temperatures from 28°C.
- Safe surface temperature.
- **A 30 year guarantee** on the heat exchanger.



PLAY PIANO



LOW-H₂O
SELECTED AS
THE MOST
ECONOMICAL
RADIATOR

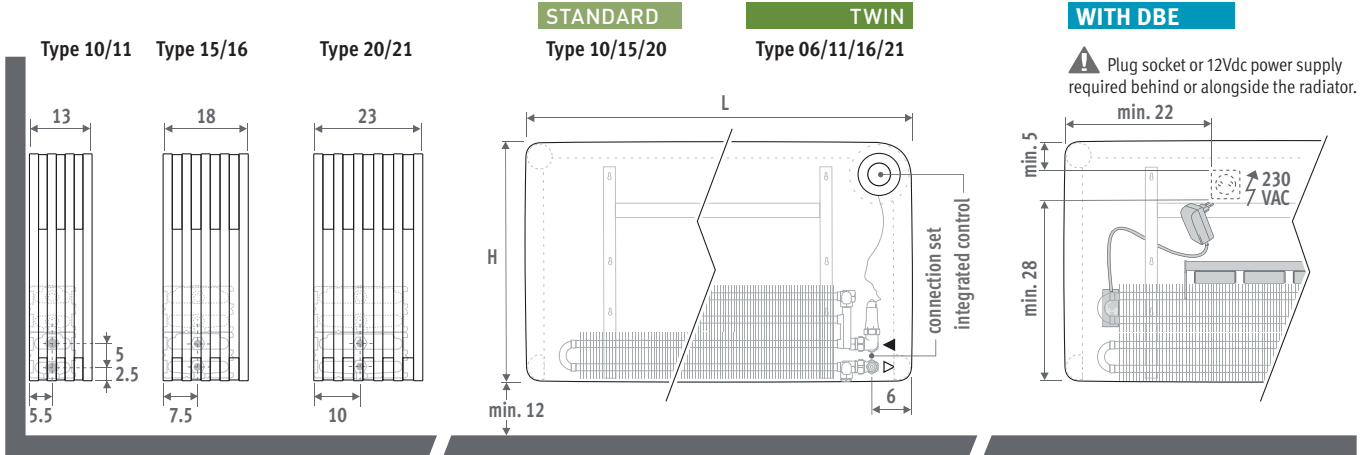
PLAY



PLAY



DIMENSIONS (in cm)



DELIVERY

Delivered in a cardboard box, which can also be used as protection on site after installation. standard delivery:

- Low-H₂O heat exchanger with wall brackets and fixing kit, air vent 1/8" and drain plug 1/2"
- one piece casing, completely mounted, consisting of lacquered MDF panels with anodised aluminium spacer rings
- premounted and integrated control in the front panel in the top right hand corner, included valve and sleeve couplings for connection to the wall or to the floor
- pencil-proof grille

Delivery with DBE:

- number of DBE unit(s) varies according to the length
- operation, control and power supply 12 VDC
- mounting instructions
- packed with the radiator

COLOURS

Scratch resistant polyurethane finish with a soft structured mat surface. High UV resistance.

Category 1



WHI Play White

Category 2



BLA Play Black **PIA** Play Piano

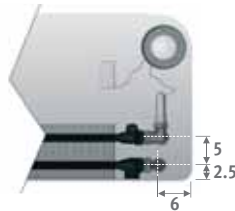
BOY Play4Boy **GIR** Play4Girl

ORDERING CODE

Connection to the wall within the casing

code height length type colour conn.
PLAW. 035 060 10 .XXX /WR /TIB /...

Enter colour code
To the wall, right /WR
To the wall, left /WL
Always 2-Pipe /TIB
Fill in sleeve coupling code: see p. 151



Connection to the wall via bottom of the casing

code height length type colour conn.
PLAW. 035 060 10 .XXX /WR /TPB /...

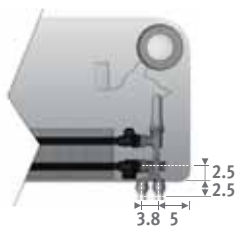
Enter colour code
To the wall, right /WR
To the wall, left /WL
2-pipe /TPB
1-pipe /TPO
Fill in sleeve coupling code: see p. 151



Connection to the floor

code height length type colour conn.
PLAW. 035 060 10 .XXX /FR /TPB /...

Enter colour code
To the floor, right /FR
To the floor, left /FL
2-pipe /TPB
1-pipe /TPO
Fill in sleeve coupling code: see p. 151



ORDERING CODE WITH DBE

PLAW. 035 060 10 .XXX /XX /XXX /... Option /DBE

DBE should be selected according to the power in comfort mode, as stated in the price and output table. The transition between standby (inactive) and comfort is managed automatically depending on the measured temperature and settings. For output in boost mode: see www.jaga.com

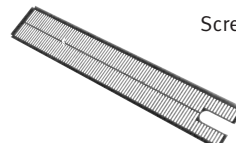


CREATE YOUR OWN COLOURS OR CREATE YOUR OWN PRINT

Design your own colour combination or print on the front panel. For more info go to: export@jaga.be



BASE GRILLE



Screens the bottom of the casing. Colour black (RAL 9005)

	code	length	type	model
ORDERING CODE	5641.000	060	10	/PLA
	Type 10/11	15/16	20/21	
L	€	€	€	
060	30,10	33,20	34,40	
080	31,70	35,70	37,20	
100	33,60	38,70	40,50	
120	36,70	42,30	47,40	



PLAW.HHH LLL TT.XXX/XX/XXX/...

PLAW.HHH LLL TT.XXX/XX/XXX/.../DBE

STANDARD

TWIN

WITH DBE

Type	Watts 75/65	Watts 55/45	€ cat. 1	€ cat. 2
------	----------------	----------------	-------------	-------------

Type	Watts 75/65	Watts 55/45	€ cat. 1	€ cat. 2
------	----------------	----------------	-------------	-------------

Type	Watts 75/65	Watts 55/45	Watts 35/30	€ cat. 1	€ cat. 2
------	----------------	----------------	----------------	-------------	-------------

L H 035

060	10	529	262	771,50	985,60
	15	805	400	863,00	1124,40
	20	1104	551	947,20	1250,30
080	10	705	349	829,90	1090,60
	15	1074	533	927,40	1239,20
	20	1472	735	1027,80	1394,80
100	10	881	436	875,30	1178,70
	15	1342	667	985,90	1353,80
	20	1840	919	1098,00	1522,60
120	10	1057	523	922,90	1274,90
	15	1610	800	1048,40	1467,20
	20	2208	1102	1174,80	1665,20

11	583	279	854,00	1068,10	
	16	870	413	961,70	1223,40
	21	1217	573	1036,60	1339,60
11	777	372	929,60	1190,30	
	16	1160	551	1051,10	1362,90
	21	1622	763	1141,70	1508,80
11	971	465	986,10	1289,60	
	16	1450	688	1127,50	1495,20
	21	2028	954	1229,00	1653,80
11	1165	558	1050,60	1402,60	
	16	1740	826	1212,40	1631,20
	21	2434	1145	1330,30	1820,60

---	---	---	---	---	---
---	---	---	---	---	---
---	---	---	---	---	---
11	1077	646	269	1134,70	1395,50
16	1640	984	410	1266,50	1578,30
21	2102	1261	526	1357,00	1724,10
11	1271	763	318	1191,50	1494,70
16	1930	1158	483	1342,80	1710,70
21	2508	1505	627	1444,50	1869,10
11	1765	1059	441	1333,20	1685,20
16	2700	1620	675	1515,50	1934,40
21	3394	2036	849	1633,60	2123,70

L H 050

060	10	591	290	816,10	1094,50
	15	925	456	908,30	1240,90
	20	1284	637	1001,10	1392,40
080	10	788	386	876,80	1208,80
	15	1234	609	983,00	1383,90
	20	1712	849	1091,40	1553,80
100	10	985	483	926,60	1315,20
	15	1542	760	1046,00	1506,40
	20	2140	1062	1165,90	1695,80
120	10	1182	579	978,20	1423,80
	15	1850	912	1111,90	1638,40
	20	2568	1274	1246,90	1852,60

11	685	327	898,80	1177,00	
	16	1040	493	1007,00	1339,40
	21	1461	689	1090,40	1481,70
11	913	436	976,40	1308,40	
	16	1386	657	1106,70	1507,50
	21	1948	919	1205,40	1667,60
11	1141	544	1037,60	1426,00	
	16	1733	822	1187,60	1647,80
	21	2435	1149	1297,10	1826,90
11	1369	653	1105,90	1551,40	
	16	2080	987	1276,00	1802,60
	21	2922	1378	1402,20	2007,90

---	---	---	---	---	---
---	---	---	---	---	---
---	---	---	---	---	---
11	1213	728	303	1181,40	1513,40
16	1866	1120	467	1321,90	1723,00
21	2428	1457	607	1420,50	1882,90
11	1441	865	360	1242,50	1631,00
16	2213	1328	553	1402,80	1863,20
21	2915	1749	729	1512,60	2042,40
11	1969	1181	492	1388,60	1834,00
16	3040	1824	760	1579,00	2105,80
21	3882	2329	971	1705,60	2311,10

L H 065

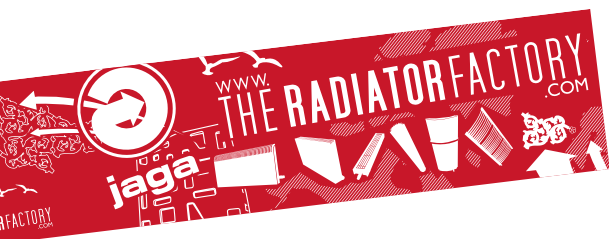
060	10	653	317	871,40	1211,60
	15	1040	509	971,40	1381,70
	20	1454	717	1072,10	1545,10
080	10	870	423	928,50	1336,90
	15	1386	679	1042,30	1525,60
	20	1938	956	1159,00	1714,90
100	10	1088	529	977,50	1453,60
	15	1733	849	1104,40	1659,10
	20	2423	1195	1232,60	1869,50
120	10	1306	635	1032,70	1574,90
	15	2080	1018	1174,40	1804,70
	20	2908	1434	1317,30	2040,20

11	778	369	953,90	1294,10	
	16	1187	562	1070,30	1480,60
	21	1663	786	1161,50	1634,50
11	1037	492	1028,10	1436,80	
	16	1582	750	1165,90	1649,20
	21	2218	1049	1272,90	1828,80
11	1296	615	1088,40	1564,60	
	16	1978	937	1245,80	1800,40
	21	2772	1311	1363,60	2000,50
11	1555	738	1160,40	1702,60	
	16	2374	1125	1338,40	1968,80
	21	3326	1573	1472,60	2195,50

---	---	---	---	---	---
---	---	---	---	---	---
---	---	---	---	---	---
11	1337	802	334	1233,10	1641,80
16	2062	1237	516	1381,30	1864,70
21	2698	1619	675	1488,10	2044,10
11	1596	958	399	1293,30	1769,90
16	2458	1475	615	1461,20	2016,10
21	3252	1951	813	1578,90	2215,90
11	2155	1293	539	1443,10	1985,20
16	3334	2000	834	1641,60	2272,00
21	4286	2572	1072	1775,80	2498,70

EN442 output at 20°C room temperature





Jaga International
Verbindingslaan 16
B-3590 Diepenbeek

Tel.: +32 (0)11 29 41 12
Fax: +32 (0)11 29 41 60
export@jaga.com

The information in this price list is correct at the time of printing.
Jaga reserves the right to change product specification at any time in line
with our policy of continuous improvement and innovation.
All prices in Euro, exclude VAT. Prices valid from 1st January 2019.
Replaces all existing price lists.