

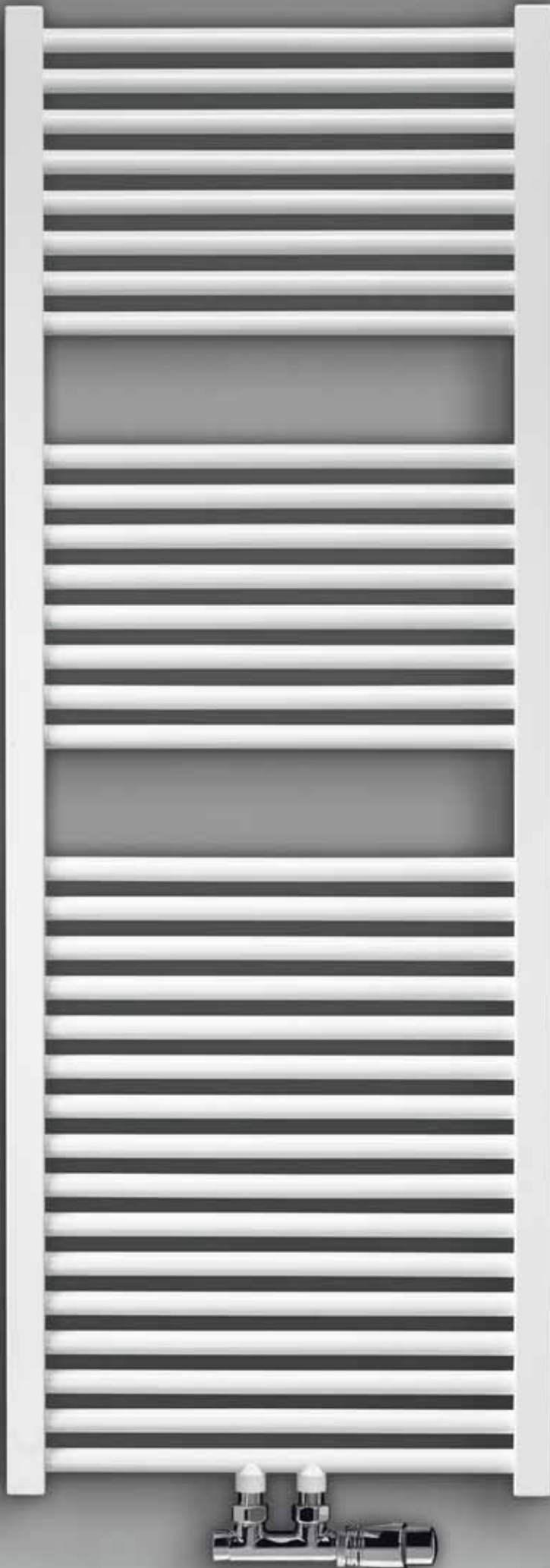
# jaga

CLIMATE DESIGNERS

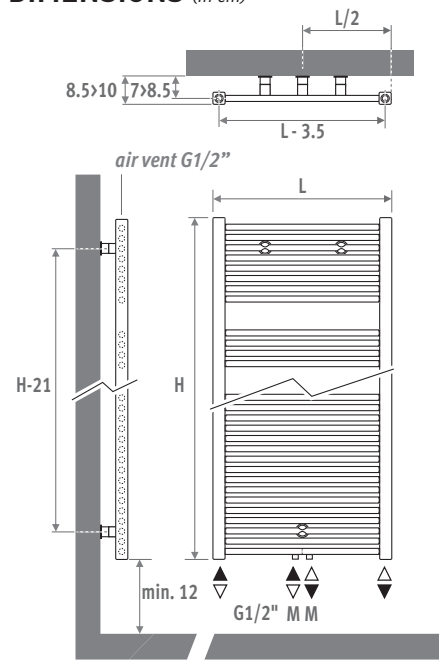
Heating 

SANI RONDA € 2020.EX





## DIMENSIONS (in cm)



## DELIVERY

- central connection MM underneath
- wall fixing
- chrome-plated air vent and 3 drain plugs  $G1/2''$

## COLOURS

Environmentally friendly, scratch-resistant, high UV resistant powder coating.

Standard colours:

- traffic white RAL 9016 (233), smooth glossy finish
- sandblast grey (001), fine texture metallic

Other colours: see colour chart.

Also available in chrome version.

## CONNECTION

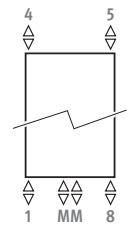
Code:

1° number = flow

2° number = return

Standard connection:

- central connection MM below or on top, flow left or right. Connection 18 or 81 is also possible



Other connections:

When assigning a different connection code MM will be removed (no surcharge - extended delivery time).

- top connection:
  - enter code 45 or 54. Insert pipe included. Has to be mounted in the return.
  - Always mount an air vent on the central heating pipework.
- side connection:
  - enter code 41 or 58
- single point connection: see chapter "Connection set & Valves" - set 81 or 82. Not possible with a radiator on feet.
- one pipe connection with code MM and connection set 41 or 42.
- electric heating element and mixed application: see "Parts & Options"

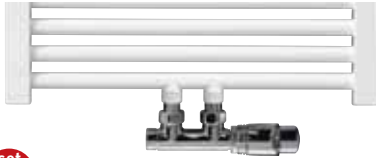
# SANI RONDA

## CONNECTION SETS

### Connection set to the wall with a Deco-Pro valve

TRV head and sleeve couplings included.

max. 50



set 48

**BRUSHED STAINLESS STEEL** €



CODE.PW3.PS.1... 238,00

set 41

**CHROME** €



CODE.PW3.AW.1... 153,00



CODE.PW3.AC.1... 167,00

fill in sleeve coupling code

Precision metal tube 15/1	115
Precision metal tube 16/1	116
Precision metal tube 18/1	118
RPE/ALU tube 16/2	316
RPE/ALU tube 18/2	318

### Other connection sets and sleeve couplings

See chapter "Connection sets and valves Eyecatchers" for all connection options and technical information.

code	height	length	colour	conn.
<b>SROW . 063 040 . XXX /MM</b>				
fill in colour code —				

Watts	Watts	€	€
75/65	55/45	st. colour	other

### L H 093

050	494	257	531,00	637,00
060	581	302	568,00	681,00

### L H 122

040	546	283	586,00	703,00
050	665	344	602,00	722,00
060	784	405	628,00	753,00

### L H 137

040	617	318	628,00	753,00
050	752	388	646,00	775,00
060	887	457	674,00	809,00
070	1022	526	703,00	843,00

### L H 175

040	766	392	743,00	891,00
050	931	477	766,00	919,00
060	1097	562	800,00	959,00
070	1262	647	839,00	1006,00
080	1428	732	878,00	1053,00

### L H 205

060	1314	670	927,00	1112,00
070	1509	770	978,00	1174,00
080	1705	871	1029,00	1235,00

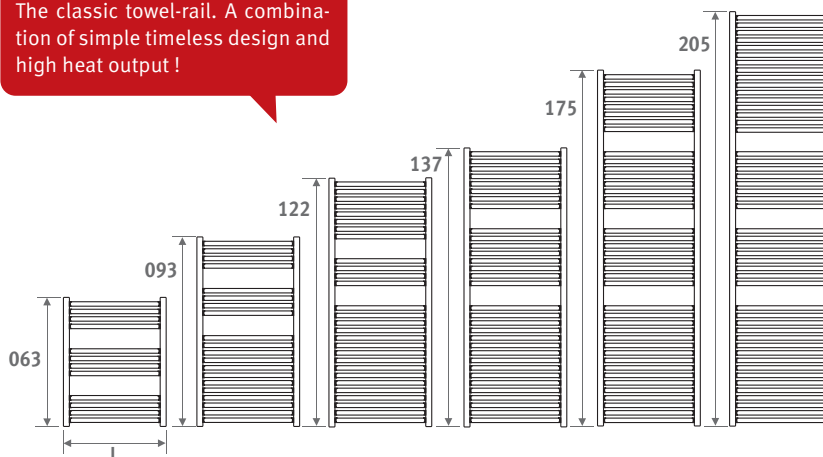
Output chrome-plated = -35%

EN442 output at 20°C room temperature



For electric element see p. 382

The classic towel-rail. A combination of simple timeless design and high heat output !



EN 442 75/65 55/45

**jaga**  
CLIMATE  
DESIGNERS

Jaga International  
Verbindingslaan 16  
B-3590 Diepenbeek

Tel.: +32 (0)11 29 41 12  
Fax: +32 (0)11 29 41 60  
export@jaga.com

The information in this price list is correct at the time of printing.  
Jaga reserves the right to change product specification at any time in line  
with our policy of continuous improvement and innovation.  
All prices in Euro, exclude VAT. Prices valid from 1 January 2020.  
Replaces all existing price lists.