

**jaga**



*Energy*  
**SAVERS**  
LOW-H<sub>2</sub>O  
**STRADA**  
€ 2019.EX



Energy  
SAVERS  
LOW-H<sub>2</sub>O

# STRADA

Warm power,  
cutting-edge design

- Discreet slim-line design with flat front panel and stylish aluminium grille.
- Low-H<sub>2</sub>O technology with super conductive and ultra fast heat exchanger for low energy consumption and maximum heat emission.
- Twin Power for better compensation of the downward cold air flow next to glazed façades or ventilation grilles.
- Suitable for an integrated valve and concealed connection.
- Safe surface temperature.
- **A 30 year guarantee** on the heat exchanger.



design award  
winner

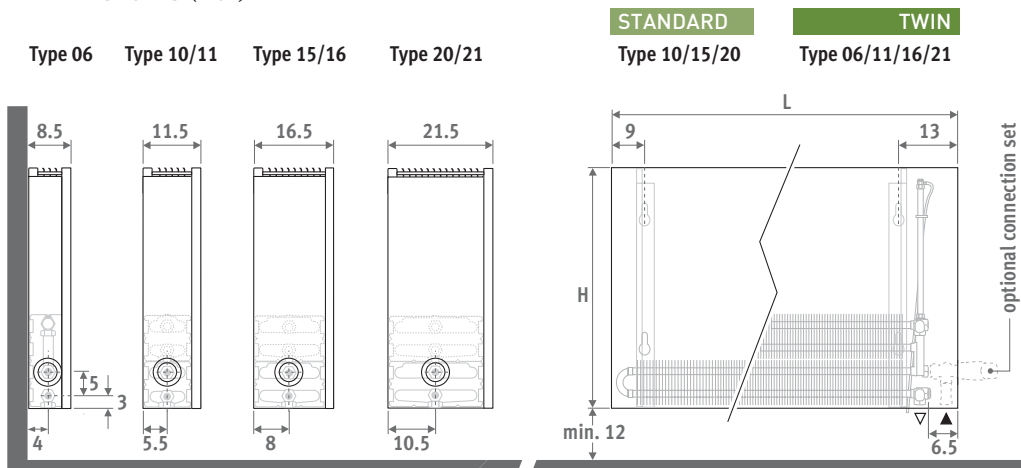


LOW-H<sub>2</sub>O  
SELECTED AS  
THE MOST  
ECONOMICAL  
RADIATOR

STRADA



## DIMENSIONS (in cm)



## DELIVERY

Easy to install by one person. Delivered in a cardboard box, which can also be used as protection on site after installation.

Standard delivery:

- Low-H<sub>2</sub>O heat exchanger with wall brackets, fixing kit, extended air vent 1/8" and drain plug 1/2"
- partially pre-mounted casing for connection left or right at low level
- cover plate in stainless steel effect for the side panel at the opposite end from the valve

## COLOURS

Environmentally friendly, scratch-resistant, high UV resistant powder coating.

Standard colours:

- traffic white RAL 9016 (133), soft touch lightly structured satin lacquer
- sandblast grey (001), fine texture metallic lacquer

Other colours: see colour chart.

## CONNECTION

Standard connection:

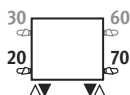
Bottom end left or right, to the wall or to the floor. Connection to the wall via the bottom of the casing, or totally concealed within the casing, depending on the valve or connection set chosen.

Optional high level valve:

add to the code of the radiator /30 (left) or /60 (right)

Ex. STRW.035 050 06.xxx/60

High level valve details: see "Connection sets & Valves".



Optional remote controlled valve:

add to the code of the radiator /00.

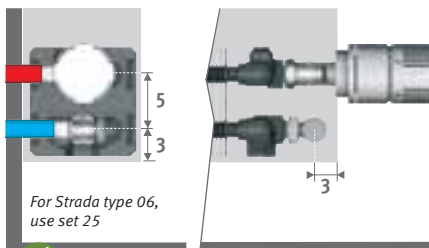
Ex. STRW.035 050 06.xxx/00

For valve set prices see chapter "Connection sets & valves"

## CONNECTION SETS

To the wall, totally concealed within the casing

TRV head and sleeve couplings Eurocone 3/4" included.



set 225

### CODE 2-PIPE

	COLO.SW2.JC.4...	69,30
	COLO.SW2.JW.4...	59,30

fill in sleeve coupling code

Precision metal tube 14/1 114

Precision metal tube 15/1 115

Precision metal tube 16/1 116

RPE/ALU tube 16/2 616

## Other connections:

See chapter "Connection sets and valves" for all connection options and technical information.

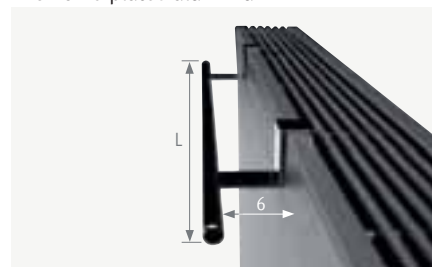


## ORDERING CODE

code	height	length	type	colour
STRW .	020	050	10 .	XXX
fill in colour code ↓				

## TOWEL RAIL

in chrome-plated aluminium



CODE	L	€
5501.001	56	212,90
5501.002	66	212,90

# H020 - STRADA

STRW.020 LLL TT.XXX



L	STANDARD					TWIN				
	Type	Watts 75/65	Watts 55/45	€ st. colour	€ other	Type	Watts 75/65	Watts 55/45	€ st. colour	€ other
050	---	---	---	---	---	06	269	131	180,80	231,00
	10	328	159	162,70	217,50	---	---	---	---	---
	15	545	265	193,10	252,90	---	---	---	---	---
	20	766	373	222,50	287,70	---	---	---	---	---
060	---	---	---	---	---	06	323	157	193,40	247,70
	10	393	191	175,20	234,40	---	---	---	---	---
	15	654	319	207,50	270,80	---	---	---	---	---
	20	919	448	241,20	310,20	---	---	---	---	---
070	---	---	---	---	---	06	377	183	214,30	270,90
	10	459	223	196,00	258,80	---	---	---	---	---
	15	763	372	234,60	302,10	---	---	---	---	---
	20	1072	522	278,60	354,00	---	---	---	---	---
080	---	---	---	---	---	06	430	209	227,70	287,80
	10	524	255	208,50	274,70	---	---	---	---	---
	15	872	425	254,40	327,80	---	---	---	---	---
	20	1226	597	301,40	382,10	---	---	---	---	---
090	---	---	---	---	---	06	484	236	238,80	301,40
	10	590	287	219,30	288,60	---	---	---	---	---
	15	981	478	270,30	347,70	---	---	---	---	---
	20	1379	672	320,60	405,50	---	---	---	---	---
100	---	---	---	---	---	06	538	262	256,60	321,30
	10	655	318	237,70	309,90	---	---	---	---	---
	15	1090	531	293,90	374,40	---	---	---	---	---
	20	1532	746	352,60	442,20	---	---	---	---	---
110	---	---	---	---	---	06	592	288	270,30	338,60
	10	721	350	250,30	326,90	---	---	---	---	---
	15	1199	584	310,80	395,30	---	---	---	---	---
	20	1685	821	375,30	470,50	---	---	---	---	---
120	---	---	---	---	---	06	646	314	287,60	361,80
	10	786	382	270,00	354,50	---	---	---	---	---
	15	1308	637	336,30	430,90	---	---	---	---	---
	20	1838	895	410,80	520,10	---	---	---	---	---
140	---	---	---	---	---	06	753	366	311,80	389,80
	10	917	446	293,90	383,20	---	---	---	---	---
	15	1526	743	368,10	467,10	---	---	---	---	---
	20	2145	1045	472,10	585,10	---	---	---	---	---
160	---	---	---	---	---	06	861	419	367,10	459,00
	10	1048	509	348,00	453,10	---	---	---	---	---
	15	1744	850	440,00	556,90	---	---	---	---	---
	20	2451	1194	562,60	695,70	---	---	---	---	---
180	---	---	---	---	---	06	968	471	395,00	493,40
	10	1179	573	377,30	491,40	---	---	---	---	---
	15	1962	956	479,40	606,90	---	---	---	---	---
	20	2758	1343	610,30	753,90	---	---	---	---	---
200	---	---	---	---	---	06	1076	524	429,30	539,40
	10	1310	637	410,70	536,70	---	---	---	---	---
	15	2180	1062	548,30	690,70	---	---	---	---	---
	20	3064	1493	665,60	824,90	---	---	---	---	---
240	---	---	---	---	---	06	1291	628	537,90	679,10
	10	1572	764	516,40	676,00	---	---	---	---	---
	15	2616	1274	686,50	866,10	---	---	---	---	---
	20	3677	1791	836,80	1037,60	---	---	---	---	---
280	---	---	---	---	---	06	1506	733	603,20	761,20
	10	1834	891	580,10	759,00	---	---	---	---	---
	15	3052	1487	772,70	974,50	---	---	---	---	---
	20	4290	2090	944,30	1169,00	---	---	---	---	---

EN442 output at 20°C room temperature

# STRADA H035

STRW.035 LLL TT.XXX

L	STANDARD					TWIN				
	Type	Watts 75/65	Watts 55/45	€ st. colour	€ other	Type	Watts 75/65	Watts 55/45	€ st. colour	€ other
050	---	---	---	---	---	06	395	194	236,40	295,00
	10	449	220	180,20	243,30	11	598	287	270,50	333,30
	15	735	361	210,80	280,10	16	797	378	318,60	387,70
	20	1030	506	241,20	315,50	21	1057	498	340,50	415,10
060	---	---	---	---	---	06	474	233	253,20	317,10
	10	539	264	194,20	262,90	11	718	344	289,10	357,60
	15	882	434	226,80	300,50	16	956	454	341,80	415,50
	20	1236	608	261,20	340,50	21	1268	598	368,50	447,70
070	---	---	---	---	---	06	553	271	281,10	347,40
	10	629	308	215,70	288,50	11	837	401	323,20	395,90
	15	1029	506	254,50	333,00	16	1115	529	387,10	465,60
	20	1442	709	299,40	385,50	21	1480	698	423,50	509,80
080	---	---	---	---	---	06	632	310	297,90	368,40
	10	718	351	229,40	306,10	11	957	459	343,20	419,80
	15	1176	578	275,30	359,90	16	1274	605	416,90	501,60
	20	1648	810	323,20	415,30	21	1691	797	456,20	548,40
090	---	---	---	---	---	06	711	349	313,60	388,30
	10	808	395	242,50	323,50	11	1076	516	361,20	442,20
	15	1323	650	293,30	384,00	16	1434	681	443,90	534,40
	20	1854	911	344,40	442,20	21	1903	897	485,80	583,30
100	---	---	---	---	---	06	790	388	336,80	413,70
	10	898	439	260,80	345,60	11	1196	573	390,30	475,00
	15	1470	723	317,30	411,20	16	1593	756	482,40	576,30
	20	2060	1013	376,90	479,50	21	2114	997	533,10	636,00
110	---	---	---	---	---	06	869	427	354,40	435,70
	10	988	483	274,90	364,40	11	1316	631	410,60	499,90
	15	1617	795	335,40	434,00	16	1752	832	508,60	607,20
	20	2266	1114	400,80	509,80	21	2325	1096	566,40	675,30
120	---	---	---	---	---	06	948	465	374,80	462,30
	10	1078	528	294,60	392,20	11	1435	688	436,20	533,70
	15	1764	867	361,10	469,80	16	1912	908	543,80	652,60
	20	2472	1215	436,20	559,60	21	2537	1196	610,60	734,00
140	---	---	---	---	---	06	1106	543	411,40	504,40
	10	1257	615	324,10	428,10	11	1674	802	481,30	585,30
	15	2058	1012	397,60	512,50	16	2230	1059	603,00	717,70
	20	2884	1418	503,20	631,90	21	2960	1396	713,60	842,50
160	---	---	---	---	---	06	1264	620	481,80	590,80
	10	1437	703	381,20	503,40	11	1914	917	563,80	685,80
	15	2352	1156	472,70	607,60	16	2549	1210	714,30	849,40
	20	3296	1620	596,60	747,60	21	3382	1594	843,80	994,80
180	---	---	---	---	---	06	1422	698	518,10	635,60
	10	1616	791	412,90	545,90	11	2153	1032	608,50	741,60
	15	2646	1301	514,90	662,10	16	2867	1361	776,20	923,50
	20	3708	1823	647,00	810,30	21	3805	1794	914,20	1077,50
200	---	---	---	---	---	06	1580	776	560,80	691,40
	10	1796	879	448,30	594,80	11	2392	1146	656,90	803,30
	15	2940	1445	585,50	749,40	16	3186	1513	884,40	1048,30
	20	4120	2025	704,20	884,70	21	4228	1993	991,20	1171,60
240	---	---	---	---	---	06	1896	931	699,00	863,70
	10	2155	1055	561,60	745,00	11	2870	1375	818,00	1001,20
	15	3528	1734	731,20	935,20	16	3823	1815	1100,10	1304,10
	20	4944	2431	883,20	1108,30	21	5074	2392	1240,00	1465,20
280	---	---	---	---	---	06	2212	1086	782,50	967,40
	10	2514	1230	629,80	835,50	11	3349	1605	915,00	1120,80
	15	4116	2024	821,40	1051,00	16	4460	2118	1233,50	1463,60
	20	5768	2836	994,70	1247,10	21	5919	2791	1394,80	1647,20

EN442 output at 20°C room temperature

# H050 - STRADA

STRW.050 LLL TT.XXX

L	STANDARD					TWIN				
	Type	Watts 75/65	Watts 55/45	€ st. colour	€ other	Type	Watts 75/65	Watts 55/45	€ st. colour	€ other
050	---	---	---	---	---	06	474	235	246,60	310,80
	10	538	265	191,40	260,70	11	693	332	282,90	352,20
	15	867	430	225,30	301,20	16	949	449	332,10	407,80
	20	1213	602	257,90	340,20	21	1291	605	357,30	439,60
060	---	---	---	---	---	06	568	282	263,80	333,50
	10	646	318	206,10	281,40	11	832	399	302,20	377,60
	15	1040	516	241,90	322,90	16	1139	539	355,60	436,60
	20	1455	722	278,70	366,50	21	1549	725	385,90	473,70
070	---	---	---	---	---	06	663	329	293,20	366,90
	10	753	371	229,00	309,80	11	970	465	337,80	418,40
	15	1214	602	271,30	358,30	16	1329	629	402,80	489,70
	20	1698	842	318,40	414,10	21	1807	846	442,70	538,40
080	---	---	---	---	---	06	758	376	311,30	389,60
	10	861	424	243,60	328,70	11	1109	532	359,00	444,00
	15	1387	688	293,00	386,80	16	1518	719	433,50	527,20
	20	1940	962	343,10	445,60	21	2066	968	476,20	578,60
090	---	---	---	---	---	06	852	423	327,50	410,40
	10	968	477	257,30	347,40	11	1247	598	377,30	467,40
	15	1561	774	311,80	411,40	16	1708	809	460,90	560,70
	20	2183	1083	365,10	473,30	21	2324	1088	506,40	614,50
100	---	---	---	---	---	06	947	470	351,10	436,80
	10	1076	530	276,20	370,40	11	1386	665	407,00	501,10
	15	1734	860	336,10	440,00	16	1898	898	499,90	603,70
	20	2425	1203	398,20	511,90	21	2582	1209	554,30	668,10
110	---	---	---	---	---	06	1042	517	370,20	460,90
	10	1184	584	292,00	391,70	11	1525	732	428,60	528,40
	15	1907	946	355,70	465,00	16	2088	988	527,70	636,90
	20	2668	1323	423,40	544,10	21	2840	1330	589,10	710,00
120	---	---	---	---	---	06	1136	564	391,80	489,60
	10	1291	636	312,50	421,30	11	1663	798	455,40	564,20
	15	2081	1032	382,20	502,50	16	2278	1078	564,00	684,30
	20	2910	1443	459,90	595,90	21	3098	1451	634,50	770,50
140	---	---	---	---	---	06	1326	658	431,60	536,20
	10	1506	742	345,10	461,90	11	1940	931	504,30	621,10
	15	2428	1204	423,50	551,10	16	2657	1258	627,00	754,70
	20	3395	1684	531,60	674,60	21	3615	1693	742,20	885,20
160	---	---	---	---	---	06	1515	752	505,80	629,00
	10	1722	849	406,10	543,30	11	2218	1064	590,50	727,80
	15	2774	1376	502,10	652,70	16	3037	1438	741,80	892,50
	20	3880	1924	628,90	796,50	21	4131	1935	876,20	1044,00
180	---	---	---	---	---	06	1705	846	543,50	676,40
	10	1937	955	439,30	588,50	11	2495	1197	636,90	786,00
	15	3121	1548	545,90	710,10	16	3416	1617	805,40	969,30
	20	4365	2165	680,90	862,00	21	4648	2177	947,90	1129,20
200	---	---	---	---	---	06	1894	940	588,30	735,90
	10	2152	1061	476,90	641,20	11	2772	1330	687,40	851,80
	15	3468	1720	618,60	800,80	16	3796	1797	915,60	1097,70
	20	4850	2405	740,10	940,10	21	5164	2418	1027,10	1226,80
240	---	---	---	---	---	06	2273	1128	732,10	917,20
	10	2582	1273	595,90	800,30	11	3326	1596	854,90	1059,10
	15	4162	2064	771,10	996,60	16	4555	2156	1137,60	1363,00
	20	5820	2886	926,70	1174,40	21	6197	2902	1283,60	1531,30
280	---	---	---	---	---	06	2652	1316	820,50	1028,70
	10	3013	1485	668,70	898,90	11	3881	1862	956,60	1186,40
	15	4855	2408	866,10	1120,40	16	5314	2516	1275,80	1530,30
	20	6790	3367	1043,00	1320,90	21	7230	3386	1443,10	1721,20

EN442 output at 20°C room temperature

# STRADA H065

STRW.065 LLL TT.XXX

L	STANDARD					TWIN				
	Type	Watts 75/65	Watts 55/45	€ st. colour	€ other	Type	Watts 75/65	Watts 55/45	€ st. colour	€ other
050	---	---	---	---	---	06	533	267	257,10	326,90
	10	606	301	205,10	281,90	11	772	371	296,70	373,60
	15	961	481	241,40	325,70	16	1087	513	349,10	433,30
	20	1343	672	277,70	368,10	21	1515	705	375,90	466,20
060	---	---	---	---	---	06	640	321	275,20	351,20
	10	727	361	220,90	304,20	11	926	444	317,00	400,20
	15	1153	577	259,00	348,80	16	1304	615	373,70	463,40
	20	1611	806	299,50	395,80	21	1818	846	405,40	501,50
070	---	---	---	---	---	06	746	374	305,70	386,30
	10	848	421	244,90	334,20	11	1080	518	353,60	442,90
	15	1345	673	289,20	385,50	16	1521	718	421,80	518,10
	20	1880	941	340,00	445,00	21	2121	987	463,10	567,80
080	---	---	---	---	---	06	853	428	325,30	411,50
	10	969	481	261,00	356,00	11	1234	592	376,10	470,90
	15	1538	770	312,60	417,10	16	1738	820	454,10	558,60
	20	2148	1075	366,50	479,10	21	2424	1128	498,40	611,00
090	---	---	---	---	---	06	959	481	342,00	433,20
	10	1090	541	275,00	375,20	11	1389	667	395,10	495,40
	15	1730	866	332,00	442,60	16	1956	923	482,00	593,00
	20	2417	1210	389,00	507,70	21	2727	1269	528,70	647,60
100	---	---	---	---	---	06	1066	535	366,30	460,70
	10	1211	601	294,80	399,50	11	1543	741	425,50	530,10
	15	1922	962	356,80	472,20	16	2173	1026	521,70	637,00
	20	2685	1344	422,30	547,40	21	3030	1410	577,40	702,30
110	---	---	---	---	---	06	1173	589	385,60	485,80
	10	1332	661	310,80	421,40	11	1697	814	447,30	558,10
	15	2114	1058	377,00	498,00	16	2390	1128	549,80	670,90
	20	2954	1478	448,20	580,60	21	3333	1551	612,50	744,80
120	---	---	---	---	---	06	1279	642	409,90	518,90
	10	1453	721	334,20	455,70	11	1852	889	476,90	598,50
	15	2306	1154	406,20	540,10	16	2608	1231	588,80	722,80
	20	3222	1613	487,40	636,80	21	3636	1692	660,50	810,00
140	---	---	---	---	---	06	1492	749	451,90	568,50
	10	1695	841	369,30	499,70	11	2160	1037	528,60	658,90
	15	2691	1347	450,50	592,80	16	3042	1436	655,60	797,90
	20	3759	1881	564,10	721,10	21	4242	1975	772,80	929,80
160	---	---	---	---	---	06	1706	856	529,00	666,30
	10	1938	962	433,50	586,20	11	2469	1185	617,90	770,60
	15	3075	1539	532,30	699,40	16	3477	1641	773,70	940,60
	20	4296	2150	664,40	848,30	21	4848	2257	909,80	1093,70
180	---	---	---	---	---	06	1919	963	569,20	717,60
	10	2180	1082	468,80	635,30	11	2777	1333	666,40	832,80
	15	3460	1732	578,20	760,40	16	3911	1846	839,20	1021,40
	20	4833	2419	718,50	917,50	21	5454	2539	984,00	1182,90
200	---	---	---	---	---	06	2132	1070	616,60	781,40
	10	2422	1202	508,90	692,20	11	3086	1481	719,40	902,60
	15	3844	1924	653,70	855,60	16	4346	2051	952,20	1154,30
	20	5370	2688	780,70	1000,20	21	6060	2821	1065,60	1285,00
240	---	---	---	---	---	06	2558	1284	766,20	971,80
	10	2906	1443	634,50	861,20	11	3703	1777	893,30	1120,10
	15	4613	2309	813,00	1061,70	16	5215	2461	1181,40	1430,30
	20	6444	3225	975,60	1246,30	21	7272	3385	1330,00	1600,80
280	---	---	---	---	---	06	2985	1498	858,40	1090,10
	10	3391	1683	711,40	966,40	11	4320	2073	999,10	1253,90
	15	5382	2694	912,00	1192,50	16	6084	2871	1324,10	1604,30
	20	7518	3763	1096,10	1399,90	21	8484	3949	1493,50	1797,40

EN442 output at 20°C room temperature



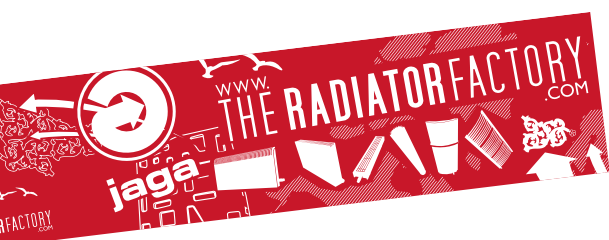
# H095 - STRADA

STRW.095 LLL TT.XXX



L	STANDARD					TWIN				
	Type	Watts 75/65	Watts 55/45	€ st. colour	€ other	Type	Watts 75/65	Watts 55/45	€ st. colour	€ other
050	---	---	---	---	---	---	---	---	---	---
	---	---	---	---	---	---	---	---	---	---
	---	---	---	---	---	---	---	---	---	---
	---	---	---	---	---	---	---	---	---	---
060	---	---	---	---	---	06	736	378	295,90	384,70
	10	836	421	242,60	338,70	11	1078	518	338,60	434,60
	15	1288	656	286,50	390,70	16	1606	753	401,20	505,50
	20	1795	915	325,50	436,20	21	2352	1081	432,80	543,50
	---	---	---	---	---	---	---	---	---	---
070	---	---	---	---	---	06	858	440	327,40	421,30
	10	975	491	267,50	370,30	11	1257	604	376,20	479,00
	15	1502	765	317,80	429,40	16	1874	879	450,40	562,00
	20	2094	1067	367,00	487,20	21	2744	1261	491,40	611,60
	---	---	---	---	---	---	---	---	---	---
080	---	---	---	---	---	06	981	503	349,50	451,40
	10	1114	561	286,20	396,70	11	1437	691	401,50	512,00
	15	1717	875	343,90	465,40	16	2142	1005	485,30	606,80
	20	2394	1220	396,10	525,90	21	3136	1441	529,20	659,20
	---	---	---	---	---	---	---	---	---	---
090	---	---	---	---	---	06	1103	566	368,40	476,40
	10	1254	631	302,60	419,80	11	1616	777	422,40	539,60
	15	1931	984	365,10	494,30	16	2409	1130	515,40	644,80
	20	2693	1372	420,80	558,20	21	3528	1621	562,10	699,60
	---	---	---	---	---	---	---	---	---	---
100	---	---	---	---	---	06	1226	629	397,50	512,50
	10	1393	701	327,40	452,40	11	1796	863	458,10	583,10
	15	2146	1093	395,30	532,50	16	2677	1256	560,10	697,30
	20	2992	1524	459,30	606,40	21	3920	1801	615,80	762,80
	---	---	---	---	---	---	---	---	---	---
110	---	---	---	---	---	06	1349	692	420,50	543,30
	10	1532	771	346,50	479,90	11	1976	950	483,30	616,70
	15	2361	1203	418,50	564,00	16	2945	1381	591,60	736,90
	20	3291	1677	488,40	645,20	21	4312	1982	654,20	811,00
	---	---	---	---	---	---	---	---	---	---
120	---	---	---	---	---	06	1471	754	445,50	577,70
	10	1672	842	370,90	515,40	11	2155	1036	513,60	658,40
	15	2575	1312	448,90	607,50	16	3212	1507	631,60	790,20
	20	3590	1829	528,50	702,80	21	4704	2162	703,20	877,30
	---	---	---	---	---	---	---	---	---	---
140	---	---	---	---	---	06	1716	880	495,10	639,30
	10	1950	982	414,00	572,00	11	2514	1208	573,40	731,30
	15	3004	1531	503,20	674,50	16	3748	1758	708,10	879,40
	20	4189	2134	614,30	800,80	21	5488	2522	825,20	1011,70
	---	---	---	---	---	---	---	---	---	---

EN442 output at 20°C room temperature



Jaga International  
Verbindingslaan 16  
B-3590 Diepenbeek

Tel.: +32 (0)11 29 41 12  
Fax: +32 (0)11 29 41 60  
export@jaga.com

The information in this price list is correct at the time of printing.  
Jaga reserves the right to change product specification at any time in line  
with our policy of continuous improvement and innovation.  
All prices in Euro, exclude VAT. Prices valid from 1st January 2019.  
Replaces all existing price lists.