

jaga

CLIMATE DESIGNERS

Heating 

LINEA PLUS FREESTANDING € 2020.EX



jaga

CLIMATE DESIGNERS

LINEA PLUS FREESTANDING

Warm power, slim line

- For spaces with large windows, glazed façades, for window displays, conservatories, under window seats and for dwarf walls.
- Discreet slim-line design with flat front panel and stylish aluminium grille.
- No wasteful heat loss from radiation through glazing.
- Low-H₂O technology with super conductive and ultra fast heat exchanger for low energy consumption and maximum heat emission.
- Twin Power for better compensation of the downward cold air flow next to glazed façades or ventilation grilles.
- Suitable for integrated valve.
- Safe surface temperature.
- **A 30 year guarantee** on the heat exchanger.

Also available as a wall mounted model. See page 38.

LINEA PLUS white 133 (RAL 9016)





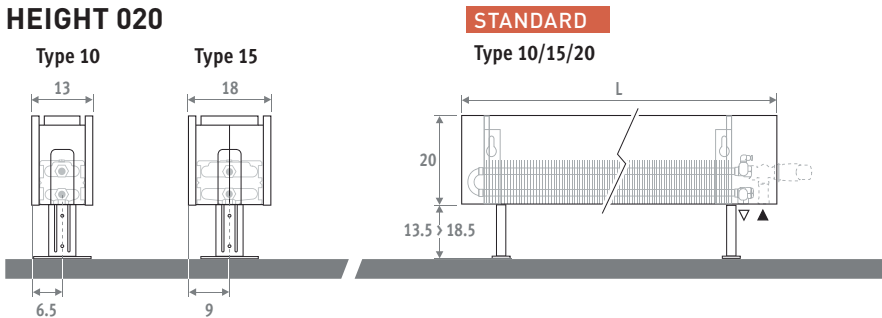
LINEA PLUS FREESTANDING

LINEA PLUS FREESTANDING

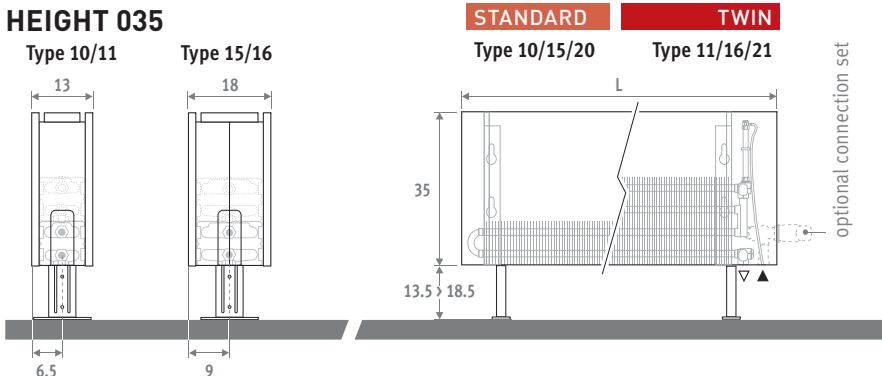


DIMENSIONS (in cm)

HEIGHT 020



HEIGHT 035



Also available as a wall mounted model. See page 38.

DELIVERY

Easy to install by one person. Delivered in a cardboard box, which can also be used as protection on site after installation.

Standard delivery:

- Low-H₂O heat exchanger with air vent elbow (standard) or extended air vent (twin) 1/8" and drain plug 1/2"
- connection left or right below
- standard adjustable feet in neutral grey

COLOURS

Environmentally friendly, scratch-resistant, high UV resistant powder coating.

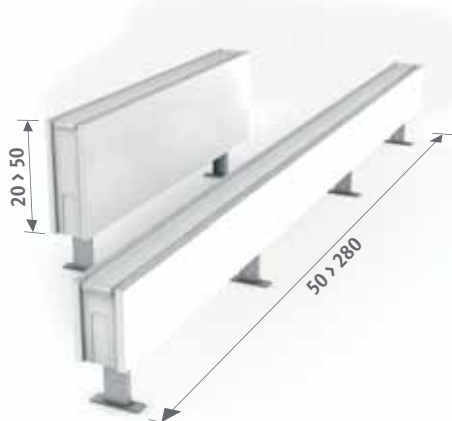
Standard colours:

- traffic white RAL 9016 (133), soft touch lightly structured satin lacquer
- sandblast grey (001), fine texture metallic lacquer

Other colours: see colour chart.

CONNECTION

Standard connection: bottom end left or right



OPTIONS

Feet in the same colour as the casing

For feet in the same colour as the casing, repeat the colour code after the code of the radiator.

ex.: LINF. HHH LLL TT.XXX/XXX

Surcharge	Length casing	feet	€
	050 > 110	2 feet	17,00
	120 > 220	3 feet	26,00
	240 > 300	4 feet	34,00

Extended adjustable feet

- For installation on a rough subfloor or computer floor.

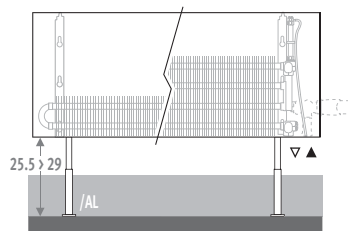
- For extended feet in neutral grey, add /AL to the ordering code.

ex.: LINF. 020 050 10.XXX/AL

- For extended feet in the same colour as the casing, add /AL to the ordering code and repeat the colour code.

ex.: LINF. 020 050 10.XXX/AL/XXX

Surcharge	Length casing	grey	colour	€	€
	050 > 110	2 feet	8,00	29,00	
	120 > 220	3 feet	12,00	43,00	
	240 > 380	4 feet	15,00	57,00	



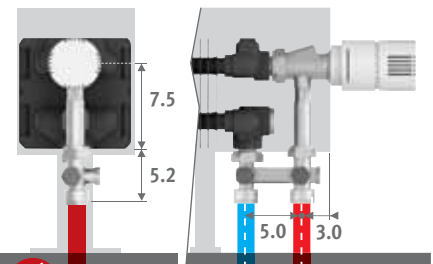
ORDERING CODE

code	height	length	type	colour
LINF .	020	050	10 .	XXX
<i>fill in colour code</i>				

CONNECTION SETS

Jaga H-valve to the floor for one or two pipe

TRV head and sleeve couplings Eurocone 3/4" included.



set 104	CODE 1-PIPE/2-PIPE	€
	COLO.HBSF.JC.4...	88,00
	COLO.HBSF.JW.4...	78,00

fill in sleeve coupling code	
Precision metal tube 14/1	114
Precision metal tube 15/1	115
Precision metal tube 16/1	116
RPE/ALU tube 16/2	616

Other connections:

see chapter "Connection sets and valves Low-H₂O" for all connection options and technical information.

LINEA PLUS FREESTANDING

LINF.HHH LLL TT.XXX

		STANDARD				
	Type	Watts	Watts	€	€	
		75/65	55/45	st. colour	other	
L	H 020					
050	10	271	130	209,00	270,00	
	15	483	233	247,00	317,00	
060	10	325	156	221,00	286,00	
	15	580	280	262,00	335,00	
070	10	379	182	242,00	309,00	
	15	676	327	289,00	366,00	
080	10	433	208	258,00	331,00	
	15	773	373	310,00	393,00	
090	10	487	234	271,00	349,00	
	15	869	420	327,00	415,00	
100	10	541	260	289,00	370,00	
	15	966	467	350,00	442,00	
110	10	595	286	302,00	386,00	
	15	1063	514	368,00	464,00	
120	10	649	312	338,00	428,00	
	15	1159	560	409,00	510,00	
140	10	757	364	365,00	463,00	
	15	1352	653	445,00	555,00	
160	10	866	416	430,00	551,00	
	15	1546	747	526,00	659,00	
180	10	974	468	466,00	600,00	
	15	1739	840	570,00	718,00	
200	10	1082	520	505,00	654,00	
	15	1932	933	642,00	805,00	
220	10	1190	571	589,00	770,00	
	15	2125	1027	745,00	941,00	
240	10	1298	623	647,00	842,00	
	15	2318	1120	815,00	1026,00	
260	10	1407	676	684,00	891,00	
	15	2512	1214	862,00	1085,00	
280	10	1515	728	718,00	937,00	
	15	2705	1307	906,00	1141,00	

		STANDARD				
	Type	Watts	Watts	€	€	
		75/65	55/45	st. colour	other	
H 035						
10	10	392	190	231,00	304,00	
	15	673	330	270,00	353,00	
10	10	470	228	246,00	324,00	
	15	808	396	288,00	377,00	
10	10	548	265	268,00	350,00	
	15	942	461	317,00	410,00	
10	10	626	303	286,00	375,00	
	15	1077	527	339,00	440,00	
10	10	705	341	304,00	401,00	
	15	1211	593	362,00	470,00	
10	10	783	379	323,00	423,00	
	15	1346	659	386,00	498,00	
10	10	861	417	338,00	443,00	
	15	1481	725	406,00	523,00	
10	10	940	455	377,00	488,00	
	15	1615	791	449,00	573,00	
10	10	1096	531	409,00	532,00	
	15	1884	922	490,00	626,00	
10	10	1253	607	481,00	630,00	
	15	2154	1055	577,00	741,00	
10	10	1409	683	522,00	689,00	
	15	2423	1186	628,00	809,00	
10	10	1566	759	565,00	751,00	
	15	2692	1318	703,00	904,00	
10	10	1723	835	654,00	875,00	
	15	2961	1450	812,00	1049,00	
10	10	1879	910	720,00	957,00	
	15	3230	1581	889,00	1144,00	
10	10	2036	986	761,00	1013,00	
	15	3500	1714	940,00	1210,00	
10	10	2192	1062	800,00	1068,00	
	15	3769	1845	989,00	1275,00	

		TWIN				
	Type	Watts	Watts	€	€	
		75/65	55/45	st. colour	other	
11	11	524	249	320,00	393,00	
	16	733	347	376,00	459,00	
11	11	629	298	340,00	418,00	
	16	879	416	402,00	491,00	
11	11	734	348	375,00	457,00	
	16	1026	485	449,00	542,00	
11	11	838	398	400,00	489,00	
	16	1172	555	480,00	581,00	
11	11	943	447	423,00	520,00	
	16	1319	624	512,00	620,00	
11	11	1048	497	452,00	553,00	
	16	1465	693	551,00	663,00	
11	11	1153	547	473,00	579,00	
	16	1612	763	579,00	697,00	
11	11	1258	597	521,00	633,00	
	16	1758	832	635,00	759,00	
11	11	1467	696	566,00	689,00	
	16	2051	970	694,00	830,00	
11	11	1677	795	663,00	813,00	
	16	2344	1109	819,00	983,00	
11	11	1886	895	718,00	885,00	
	16	2637	1248	890,00	1071,00	
11	11	2096	994	774,00	960,00	
	16	2930	1386	1004,00	1205,00	
11	11	2306	1094	894,00	1115,00	
	16	3223	1525	1159,00	1396,00	
11	11	2515	1193	976,00	1214,00	
	16	3516	1664	1259,00	1514,00	
11	11	2725	1293	1032,00	1285,00	
	16	3809	1802	1333,00	1603,00	
11	11	2934	1392	1086,00	1354,00	
	16	4102	1941	1404,00	1690,00	

EN442 output at 20°C room temperature

jaga
CLIMATE
DESIGNERS

Jaga International
Verbindingslaan 16
B-3590 Diepenbeek

Tel.: +32 (0)11 29 41 12
Fax: +32 (0)11 29 41 60
export@jaga.com

The information in this price list is correct at the time of printing.
Jaga reserves the right to change product specification at any time in line
with our policy of continuous improvement and innovation.
All prices in Euro, exclude VAT. Prices valid from 1st January 2020.
Replaces all existing price lists.