



jaga



Energy
SAVERS
LOW-H₂O

INSTALLATION IN A WALL RECESS

€ 2019.EX



Energy
SAVERS
LOW-H₂O

INSTALLATION IN A WALL RECESS

The comfort solution for minimalist architecture.

- The perfect built-in solution without sacrificing heating capacity.
- Space-saving.
- Low-H₂O technology with super conductive and ultra fast heat exchanger for low energy consumption and maximum heat emission.
- Twin Power for better compensation of the downward cold air flow next to glazed façades or ventilation grilles.
- Safe surface temperature.
- **A 30 year guarantee** on the heat exchanger.

EXAMPLE BUILT-IN WALL (front cover not included)



LOW-H₂O
SELECTED AS
THE MOST
ECONOMICAL
RADIATOR

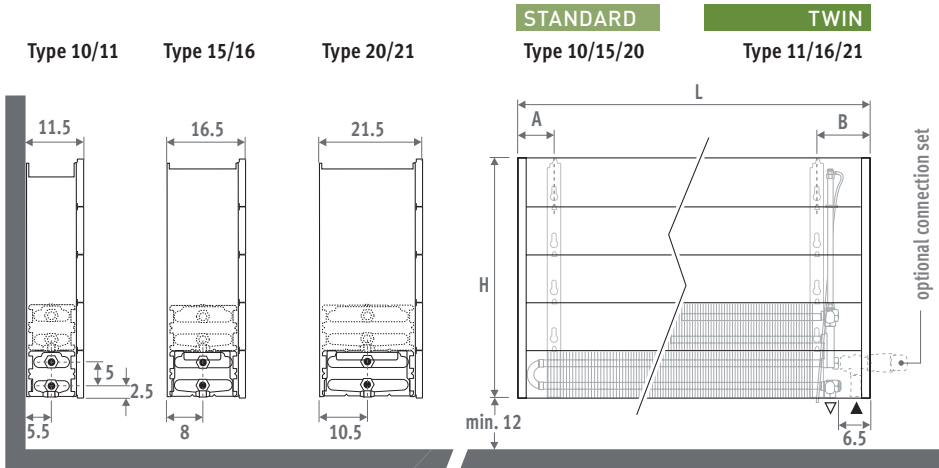
INSTALLATION IN A WALL RECESS



INSTALLATION IN A WALL RECESS



DIMENSIONS (in cm)



DELIVERY

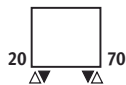
Light and easily installed by one person. Delivered flat packed in 2 packages for ease of handling and storage.

Standard delivery:

- Low-H₂O heat exchanger with wall brackets and fixing kit
- air vent elbow (standard) or extended air vent (twin) 1/8" and drain plug 1/2"
- separation wall dark grey lacquered (not suitable as finished casing)

CONNECTION

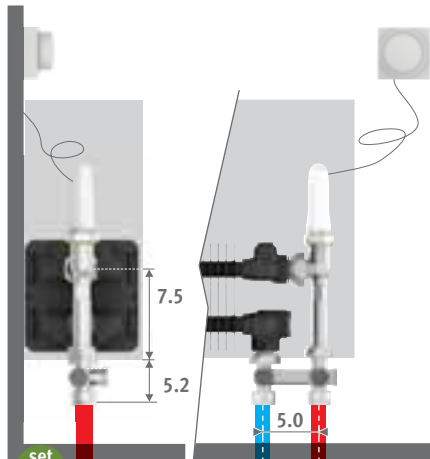
Standard connection
bottom end left or right



CONNECTION SETS

To the floor, with remote controlled thermostatic head

TRV head and sleeve couplings Eurocone 3/4" included.



set 114 CODE 1-PIPE/2-PIPE €

COLO.VBSF.RD.4... 143,60

fill in sleeve coupling code

- Precision metal tube 14/1 114
- Precision metal tube 15/1 115
- Precision metal tube 16/1 116
- RPE/ALU tube 16/2 616

Other connections:

See chapter "Connection sets and valves" for all connection options and technical information

ORDERING CODE

code	height	length	type
BIWW .	020	040	10

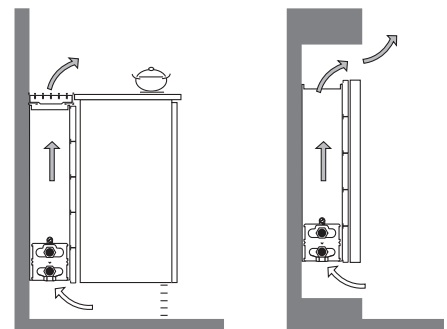
GUIDELINES FOR INSTALLATION

Cupboards should be built in a way that permits access to the heat exchanger for regular maintenance.

In order to prevent dirt from falling into the heat exchanger, fit the grille a little higher than the cupboard edge.

The outputs indicated are based on a free air flow of 75% of the depth. If the free opening is smaller, a correction factor must be applied to calculate the heat output.

% Air flow	Correction factor
75	1.00
60	0.96
50	0.92
40	0.84
30	0.66



H020 - INSTALLATION IN A WALL RECESS



BIWW.020 LLL TT

L	STANDARD				TWIN			
	Type	Watts 75/65	Watts 55/45	€	Type	Watts 75/65	Watts 55/45	€
040	10	262	127	85,80	---	---	---	---
	15	436	212	104,10	---	---	---	---
	20	613	299	122,90	---	---	---	---
050	10	328	159	93,80	---	---	---	---
	15	545	265	115,60	---	---	---	---
	20	766	373	137,70	---	---	---	---
060	10	393	191	102,50	---	---	---	---
	15	654	319	127,50	---	---	---	---
	20	919	448	153,10	---	---	---	---
070	10	459	223	120,10	---	---	---	---
	15	763	372	150,60	---	---	---	---
	20	1072	522	183,00	---	---	---	---
080	10	524	255	128,80	---	---	---	---
	15	872	425	163,30	---	---	---	---
	20	1226	597	199,20	---	---	---	---
090	10	590	287	137,40	---	---	---	---
	15	981	478	175,80	---	---	---	---
	20	1379	672	215,10	---	---	---	---
100	10	655	318	153,10	---	---	---	---
	15	1090	531	196,00	---	---	---	---
	20	1532	746	242,20	---	---	---	---
110	10	721	350	162,60	---	---	---	---
	15	1199	584	210,40	---	---	---	---
	20	1685	821	259,40	---	---	---	---
120	10	786	382	171,30	---	---	---	---
	15	1308	637	222,20	---	---	---	---
	20	1838	895	275,40	---	---	---	---
140	10	917	446	193,40	---	---	---	---
	15	1526	743	252,40	---	---	---	---
	20	2145	1045	335,70	---	---	---	---
160	10	1048	509	228,20	---	---	---	---
	15	1744	850	301,30	---	---	---	---
	20	2451	1194	400,40	---	---	---	---
180	10	1179	573	248,20	---	---	---	---
	15	1962	956	329,70	---	---	---	---
	20	2758	1343	436,90	---	---	---	---
200	10	1310	637	269,70	---	---	---	---
	15	2180	1062	381,80	---	---	---	---
	20	3064	1493	475,00	---	---	---	---
220	10	1441	700	310,00	---	---	---	---
	15	2398	1168	440,20	---	---	---	---
	20	3370	1642	550,40	---	---	---	---
240	10	1572	764	333,70	---	---	---	---
	15	2616	1274	473,30	---	---	---	---
	20	3677	1791	593,40	---	---	---	---
260	10	1703	827	356,00	---	---	---	---
	15	2834	1381	504,40	---	---	---	---
	20	3983	1940	633,30	---	---	---	---
280	10	1834	891	378,70	---	---	---	---
	15	3052	1487	535,90	---	---	---	---
	20	4290	2090	674,20	---	---	---	---
300	10	1965	955	399,60	---	---	---	---
	15	3270	1593	565,20	---	---	---	---
	20	4596	2239	712,90	---	---	---	---

Installation in a wall recess is also available in heights 70 and 90 cm, see: www.jaga.com

EN442 output at 20°C room temperature

INSTALLATION IN A WALL RECESS ■ H 030

BIWW.030 LLL TT

L	STANDARD				TWIN			
	Type	Watts 75/65	Watts 55/45	€	Type	Watts 75/65	Watts 55/45	€
040	10	330	161	91,70	11	448	215	178,50
	15	544	267	110,10	16	592	281	210,20
	20	762	373	128,80	21	779	368	220,10
050	10	413	202	99,90	11	561	269	192,90
	15	680	333	122,10	16	740	352	231,10
	20	953	467	143,90	21	974	460	243,50
060	10	496	242	109,80	11	673	323	207,30
	15	815	399	134,90	16	888	422	250,80
	20	1144	561	160,40	21	1169	552	267,60
070	10	578	282	128,30	11	785	376	238,50
	15	951	466	159,10	16	1036	492	292,90
	20	1334	654	191,40	21	1364	644	315,70
080	10	661	323	137,60	11	897	430	254,20
	15	1087	533	172,10	16	1184	563	314,90
	20	1525	747	207,90	21	1558	736	341,20
090	10	743	363	147,40	11	1009	484	268,60
	15	1223	599	186,00	16	1332	633	337,60
	20	1715	841	225,00	21	1753	828	366,50
100	10	826	403	163,90	11	1121	537	296,00
	15	1359	666	207,20	16	1480	703	373,40
	20	1906	934	252,90	21	1948	920	409,40
110	10	909	444	174,60	11	1233	591	312,60
	15	1495	733	222,50	16	1628	774	396,80
	20	2097	1028	271,40	21	2143	1012	437,10
120	10	991	484	184,00	11	1345	645	328,10
	15	1631	799	234,80	16	1776	844	418,90
	20	2287	1121	288,00	21	2338	1105	462,70
140	10	1156	565	209,40	11	1569	752	367,40
	15	1903	933	268,30	16	2072	985	472,20
	20	2668	1308	351,40	21	2727	1288	559,30
160	10	1322	646	245,40	11	1794	860	428,90
	15	2174	1066	318,70	16	2368	1126	559,10
	20	3050	1495	417,70	21	3117	1473	662,00
180	10	1487	726	267,50	11	2018	967	463,80
	15	2446	1199	349,00	16	2664	1266	608,90
	20	3431	1682	456,10	21	3506	1656	720,50
200	10	1652	807	291,50	11	2242	1074	500,80
	15	2718	1332	403,60	16	2960	1407	701,10
	20	3812	1868	496,70	21	3896	1841	780,80
220	10	1817	887	333,40	11	2466	1182	572,20
	15	2990	1465	463,80	16	3256	1548	805,50
	20	4193	2055	573,80	21	4286	2025	900,70
240	10	1982	968	359,80	11	2690	1289	615,10
	15	3262	1599	499,60	16	3552	1688	864,60
	20	4574	2242	619,40	21	4675	2209	970,50
260	10	2148	1049	383,60	11	2915	1397	653,80
	15	3533	1732	532,30	16	3848	1829	919,60
	20	4956	2429	661,00	21	5065	2393	1033,80
280	10	2313	1130	408,90	11	3139	1504	693,10
	15	3805	1865	566,40	16	4144	1970	974,70
	20	5337	2616	704,40	21	5454	2577	1098,70
300	10	2478	1210	431,40	11	3363	1612	729,80
	15	4077	1998	597,30	16	4440	2110	1026,40
	20	5718	2802	744,60	21	5844	2761	1160,10

EN442 output at
20°C room temperature

Installation in a wall recess is also available in
heights 70 and 90 cm, see: www.jaga.com

H040 - INSTALLATION IN A WALL RECESS



BIWW.040 LLL TT

L	STANDARD				TWIN			
	Type	Watts 75/65	Watts 55/45	€	Type	Watts 75/65	Watts 55/45	€
040	10	385	189	97,60	11	506	243	184,70
	15	627	309	117,90	16	680	323	219,00
	20	878	433	136,60	21	910	428	228,60
050	10	482	236	106,30	11	632	303	199,70
	15	784	386	130,40	16	850	403	240,10
	20	1098	541	152,20	21	1137	535	252,40
060	10	578	284	117,20	11	758	363	215,10
	15	941	464	144,10	16	1020	484	261,10
	20	1318	650	169,70	21	1364	641	277,60
070	10	674	331	136,90	11	885	424	247,20
	15	1098	541	169,40	16	1190	564	304,20
	20	1537	758	201,60	21	1592	749	326,80
080	10	770	378	146,50	11	1011	485	263,40
	15	1254	618	183,00	16	1360	645	326,60
	20	1757	866	218,70	21	1819	855	352,80
090	10	867	425	157,50	11	1138	546	279,00
	15	1411	695	197,80	16	1530	726	350,40
	20	1976	974	236,80	21	2047	963	378,90
100	10	963	472	175,00	11	1264	606	307,30
	15	1568	773	220,20	16	1700	806	387,20
	20	2196	1083	265,80	21	2274	1069	423,00
110	10	1059	520	186,70	11	1390	666	325,10
	15	1725	850	236,60	16	1870	887	411,70
	20	2416	1191	285,40	21	2501	1176	452,00
120	10	1156	567	196,50	11	1517	727	341,10
	15	1882	928	249,60	16	2040	968	434,40
	20	2635	1299	302,40	21	2729	1283	477,80
140	10	1348	661	225,20	11	1770	849	383,60
	15	2195	1082	287,20	16	2380	1129	492,00
	20	3074	1516	370,30	21	3184	1497	578,70
160	10	1541	756	262,90	11	2022	969	446,60
	15	2509	1237	339,10	16	2720	1290	580,30
	20	3514	1733	437,80	21	3638	1711	683,00
180	10	1733	850	286,80	11	2275	1091	483,50
	15	2822	1391	371,30	16	3060	1452	632,10
	20	3953	1949	478,40	21	4093	1925	743,50
200	10	1926	945	313,50	11	2528	1212	522,80
	15	3136	1546	428,60	16	3400	1613	727,00
	20	4392	2166	521,60	21	4548	2139	806,20
220	10	2119	1040	357,10	11	2781	1333	596,10
	15	3450	1700	490,50	16	3740	1774	832,90
	20	4831	2382	600,20	21	5003	2353	928,10
240	10	2311	1134	386,00	11	3034	1455	641,60
	15	3763	1855	529,80	16	4080	1935	895,90
	20	5270	2599	649,60	21	5458	2567	1001,30
260	10	2504	1229	411,40	11	3286	1576	681,80
	15	4077	2009	564,20	16	4420	2097	952,40
	20	5710	2816	692,60	21	5912	2780	1066,10
280	10	2696	1323	439,20	11	3539	1697	723,60
	15	4390	2164	600,60	16	4760	2258	1010,20
	20	6149	3032	738,60	21	6367	2994	1133,60
300	10	2889	1417	463,20	11	3792	1818	761,90
	15	4704	2318	633,30	16	5100	2419	1063,40
	20	6588	3249	780,40	21	6822	3208	1196,70

Installation in a wall recess is also available in heights 70 and 90 cm, see: www.jaga.com

EN442 output at 20°C room temperature

INSTALLATION IN A WALL RECESS ■ H 050

BIWW.050 LLL TT

L	STANDARD				TWIN			
	Type	Watts 75/65	Watts 55/45	€	Type	Watts 75/65	Watts 55/45	€
040	10	430	212	103,50	11	554	266	191,20
	15	694	344	124,90	16	759	359	226,30
	20	970	481	144,80	21	1033	484	236,80
050	10	538	265	112,50	11	693	332	206,30
	15	867	430	137,60	16	949	449	247,70
	20	1213	602	160,60	21	1291	605	261,10
060	10	646	318	124,60	11	832	399	222,80
	15	1040	516	152,70	16	1139	539	269,90
	20	1455	722	179,40	21	1549	725	287,60
070	10	753	371	145,20	11	970	465	256,00
	15	1214	602	178,90	16	1329	629	314,00
	20	1698	842	212,30	21	1807	846	337,70
080	10	861	424	155,40	11	1109	532	272,60
	15	1387	688	192,90	16	1518	719	337,00
	20	1940	962	229,80	21	2066	968	364,10
090	10	968	477	167,30	11	1247	598	289,50
	15	1561	774	208,70	16	1708	809	361,70
	20	2183	1083	249,30	21	2324	1088	391,60
100	10	1076	530	186,00	11	1386	665	318,80
	15	1734	860	232,00	16	1898	898	399,60
	20	2425	1203	279,10	21	2582	1209	436,50
110	10	1184	584	198,70	11	1525	732	337,70
	15	1907	946	249,70	16	2088	988	425,30
	20	2668	1323	299,70	21	2840	1330	466,50
120	10	1291	636	209,10	11	1663	798	354,10
	15	2081	1032	263,00	16	2278	1078	448,40
	20	2910	1443	317,30	21	3098	1451	492,90
140	10	1506	742	240,90	11	1940	931	400,00
	15	2428	1204	304,40	16	2657	1258	509,80
	20	3395	1684	389,60	21	3615	1693	598,00
160	10	1722	849	280,20	11	2218	1064	464,40
	15	2774	1376	357,90	16	3037	1438	599,60
	20	3880	1924	458,50	21	4131	1935	703,90
180	10	1937	955	306,10	11	2495	1197	503,40
	15	3121	1548	392,00	16	3416	1617	653,20
	20	4365	2165	501,10	21	4648	2177	766,30
200	10	2152	1061	335,20	11	2772	1330	545,40
	15	3468	1720	451,90	16	3796	1797	750,70
	20	4850	2405	546,90	21	5164	2418	831,70
220	10	2367	1167	380,50	11	3049	1463	620,40
	15	3815	1892	515,30	16	4176	1977	858,30
	20	5335	2646	627,30	21	5680	2660	955,00
240	10	2582	1273	412,20	11	3326	1596	668,20
	15	4162	2064	557,80	16	4555	2156	924,40
	20	5820	2886	680,30	21	6197	2902	1032,10
260	10	2798	1379	439,20	11	3604	1729	710,20
	15	4508	2236	593,70	16	4935	2336	982,60
	20	6305	3127	725,00	21	6713	3144	1098,40
280	10	3013	1485	469,50	11	3881	1862	754,30
	15	4855	2408	632,70	16	5314	2516	1042,70
	20	6790	3367	773,40	21	7230	3386	1168,40
300	10	3228	1591	495,00	11	4158	1995	794,20
	15	5202	2580	666,80	16	5694	2695	1097,50
	20	7275	3608	816,80	21	7746	3628	1233,00

EN442 output at
20°C room temperature

Installation in a wall recess is also available in
heights 70 and 90 cm, see: www.jaga.com

H060 - INSTALLATION IN A WALL RECESS

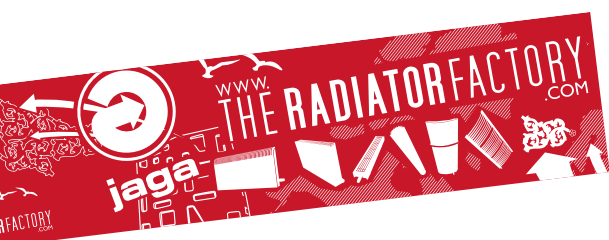


BIWW.060 LLL TT

L	STANDARD				TWIN			
	Type	Watts 75/65	Watts 55/45	€	Type	Watts 75/65	Watts 55/45	€
040	10	468	232	111,40	11	598	287	199,00
	15	746	372	130,70	16	834	394	232,10
	20	1043	520	150,50	21	1153	538	242,90
050	10	585	290	120,70	11	747	359	214,60
	15	933	466	143,80	16	1042	492	254,10
	20	1304	651	166,80	21	1441	672	267,60
060	10	702	348	134,10	11	896	430	232,20
	15	1120	559	160,10	16	1250	591	277,30
	20	1565	781	186,60	21	1729	806	295,00
070	10	819	406	155,50	11	1046	502	266,40
	15	1306	652	187,10	16	1459	689	322,20
	20	1826	911	220,50	21	2017	941	346,20
080	10	936	463	166,20	11	1195	574	283,60
	15	1493	745	201,70	16	1667	788	345,90
	20	2086	1041	238,60	21	2306	1076	373,00
090	10	1053	521	179,30	11	1345	646	301,50
	15	1679	838	218,80	16	1876	886	371,70
	20	2347	1171	259,10	21	2594	1210	401,80
100	10	1170	579	198,70	11	1494	717	331,70
	15	1866	931	243,00	16	2084	985	410,60
	20	2608	1301	290,00	21	2882	1344	447,60
110	10	1287	637	212,80	11	1643	789	351,60
	15	2053	1024	261,80	16	2292	1083	437,20
	20	2869	1432	311,70	21	3170	1479	478,80
120	10	1404	695	223,60	11	1793	861	368,80
	15	2239	1117	275,70	16	2501	1182	461,00
	20	3130	1562	329,80	21	3458	1613	505,60
140	10	1638	811	259,70	11	2092	1004	418,80
	15	2612	1303	320,40	16	2918	1379	525,70
	20	3651	1822	405,10	21	4035	1882	614,20
160	10	1872	927	300,40	11	2390	1147	484,80
	15	2986	1490	375,20	16	3334	1575	616,80
	20	4173	2082	475,50	21	4611	2151	721,40
180	10	2106	1043	328,20	11	2689	1291	525,70
	15	3359	1676	411,30	16	3751	1772	672,60
	20	4694	2342	520,00	21	5188	2420	785,80
200	10	2340	1159	359,90	11	2988	1434	570,30
	15	3732	1862	473,90	16	4168	1969	772,50
	20	5216	2603	568,50	21	5764	2688	853,90
220	10	2574	1275	407,00	11	3287	1578	646,90
	15	4105	2048	539,00	16	4585	2166	881,90
	20	5738	2863	650,30	21	6340	2957	978,80
240	10	2808	1390	442,20	11	3586	1721	698,60
	15	4478	2234	584,10	16	5002	2363	950,60
	20	6259	3123	706,10	21	6917	3226	1058,50
260	10	3042	1506	470,80	11	3884	1864	742,00
	15	4852	2421	621,60	16	5418	2560	1010,50
	20	6781	3383	752,50	21	7493	3495	1126,60
280	10	3276	1622	503,60	11	4183	2008	788,80
	15	5225	2607	663,20	16	5835	2757	1073,10
	20	7302	3643	803,30	21	8070	3764	1199,10
300	10	3510	1738	530,80	11	4482	2151	830,30
	15	5598	2793	699,00	16	6252	2954	1129,40
	20	7824	3904	848,30	21	8646	4033	1265,40

Installation in a wall recess is also available in heights 70 and 90 cm, see: www.jaga.com

EN442 output at 20°C room temperature



Jaga International
Verbindingslaan 16
B-3590 Diepenbeek

Tel.: +32 (0)11 29 41 12
Fax: +32 (0)11 29 41 60
export@jaga.com

The information in this price list is correct at the time of printing.
Jaga reserves the right to change product specification at any time in line
with our policy of continuous improvement and innovation.
All prices in Euro, exclude VAT. Prices valid from 1st January 2019.
Replaces all existing price lists.