

jaga

CLIMATE DESIGNERS

Heating 

TEMPO FREESTANDING € 2020.EX



jaga

CLIMATE DESIGNERS

TEMPO FREESTANDING

Warm power, simple style

- The Jaga classic for rooms with glazed façades. Efficient, freestanding Low H₂O technology.
- No wasteful heat loss from radiation through glazing.
- Light, compact and easy to handle packaging.
- Suitable for integrated valve.
- Low-H₂O technology with super conductive and ultra fast heat exchanger for low energy consumption and maximum heat emission.
- Twin Power for better compensation of the downward cold air flow next to glazed façades or ventilation grilles.
- Safe surface temperature.
- **A 30 year guarantee** on the heat exchanger.

Also available as a wall mounted model.
See page 46.

TEMPO FREESTANDING white 101 (RAL 9010)





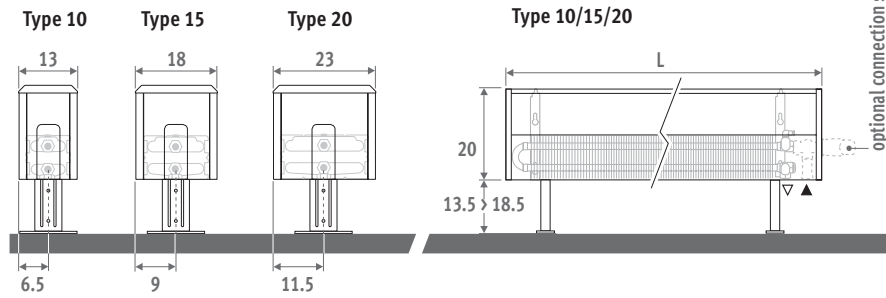
TEMPO FREESTANDING

EN 442



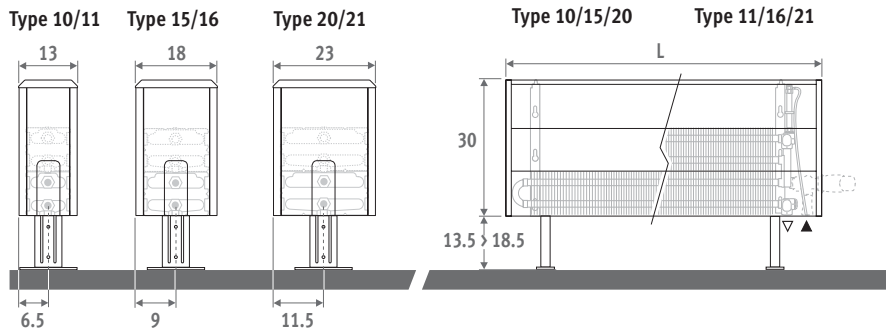
DIMENSIONS (in cm)

HEIGHT 020

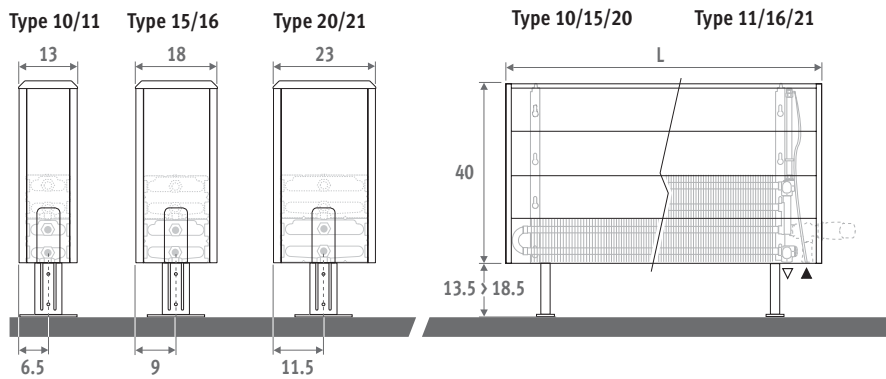


Also available as a wall mounted model. See page 46.

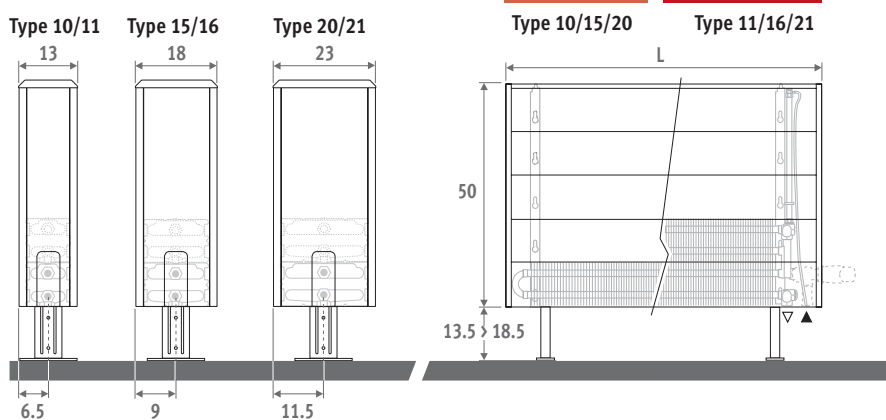
HEIGHT 030



HEIGHT 040



HEIGHT 050



TEMPO FREESTANDING

DELIVERY

Light and easily installed by one person. Delivered flat packed in 2 packages for ease of handling and storage.

standard delivery:

- Low-H₂O heat exchanger with air vent elbow (standard) or extended air vent (twin) 1/8" and drain plug 1/2"
- easy to mount casing with one closed side panel and one open panel for TRV head. The side panels can be mounted both left or right.
- standard adjustable feet in neutral grey

COLOUR

Scratch-resistant surface coating with a soft structured, satin gloss finish. High UV resistance.

Standard colour: white RAL 9010 (101)

CONNECTION

Standard connection: bottom end left or right



OPTIONS

Feet in the same colour as the casing

For feet in the same colour as the casing, repeat the colour code after the code of the radiator.

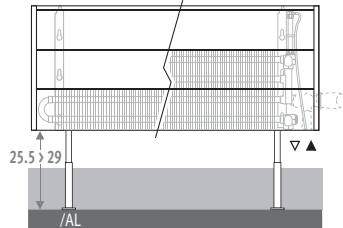
Ex.: TEMF. HHH LLL TT.101/101

Surcharge	€	
Length casing		
040 > 120	2 feet	17,00
140 > 220	3 feet	26,00
240 > 300	4 feet	34,00

Extended adjustable feet

- For installation on a rough subfloor or computer floor.
- For extended feet in neutral grey, add /AL to the ordering code.
- Ex.: TEMF. 020 040 10.101/AL
- For extended feet in the same colour as the casing, add /AL to the ordering code and repeat the colour code.
- Ex.: TEMF. 020 040 10.101/AL/101

Surcharge	€	
Length casing	grey	colour
040 > 120	2 feet	8,00 29,00
140 > 220	3 feet	12,00 43,00
240 > 300	4 feet	15,00 57,00



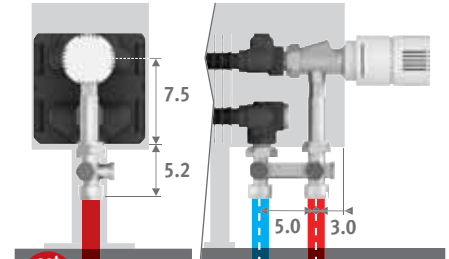
ORDERING CODE



code	height	length	type	colour
TEMF .	020	040	10 .	XXX
fill in colour code				

CONNECTION SETS

Jaga H-valve to the floor for one or two pipe

TRV head and sleeve couplings Eurocone 3/4" included.



CODE	1-PIPE/2-PIPE	€
	COLO.HBSF.JC.4...	88,00
	COLO.HBSF.JW.4...	78,00

fill in sleeve coupling code

Precision metal tube 14/1	114
Precision metal tube 15/1	115
Precision metal tube 16/1	116
RPE/ALU tube 16/2	616

Other connection sets and sleeve couplings

See chapter "Connection sets and valves Low-H₂O" for all connection options and technical information



TEMPO FREESTANDING

TEMF.HHH LLL TT.101

	STANDARD			
	Type	Watts 75/65	Watts 55/45	€
	L H 020			
040	10	262	127	169,00
	15	436	212	193,00
	20	613	299	218,00
050	10	328	159	181,00
	15	545	265	208,00
	20	766	373	236,00
060	10	393	191	192,00
	15	654	319	224,00
	20	919	448	256,00
070	10	459	223	216,00
	15	763	372	254,00
	20	1072	522	294,00
080	10	524	255	227,00
	15	872	425	270,00
	20	1226	597	314,00
090	10	590	287	240,00
	15	981	478	287,00
	20	1379	672	335,00
100	10	655	318	261,00
	15	1090	531	313,00
	20	1532	746	368,00
110	10	721	350	274,00
	15	1199	584	333,00
	20	1685	821	391,00
120	10	786	382	285,00
	15	1308	637	347,00
	20	1838	895	411,00
140	10	917	446	335,00
	15	1526	743	406,00
	20	2145	1045	502,00
160	10	1048	509	380,00
	15	1744	850	468,00
	20	2451	1194	582,00
180	10	1179	573	408,00
	15	1962	956	506,00
	20	2758	1343	629,00
200	10	1310	637	440,00
	15	2180	1062	571,00
	20	3064	1493	682,00
220	10	1441	700	493,00
	15	2398	1168	644,00
	20	3370	1642	774,00
240	10	1572	764	543,00
	15	2616	1274	705,00
	20	3677	1791	846,00
260	10	1703	827	573,00
	15	2834	1381	746,00
	20	3983	1940	898,00
280	10	1834	891	611,00
	15	3052	1487	795,00
	20	4290	2090	956,00
300	10	1965	955	639,00
	15	3270	1593	832,00
	20	4596	2239	1004,00

	STANDARD			
	Type	Watts 75/65	Watts 55/45	€
	H 030			
10	330	161	184,00	
	15	544	267	208,00
	20	762	373	232,00
10	413	202	196,00	
	15	680	333	224,00
	20	953	467	252,00
10	496	242	210,00	
	15	815	399	241,00
	20	1144	561	273,00
10	578	282	236,00	
	15	951	466	273,00
	20	1334	654	313,00
10	661	323	248,00	
	15	1087	533	290,00
	20	1525	747	335,00
10	743	363	263,00	
	15	1223	599	310,00
	20	1715	841	358,00
10	826	403	286,00	
	15	1359	666	338,00
	20	1906	934	394,00
10	909	444	302,00	
	15	1495	733	360,00
	20	2097	1028	418,00
10	991	484	314,00	
	15	1631	799	376,00
	20	2287	1121	440,00
10	1156	565	370,00	
	15	1903	933	441,00
	20	2668	1308	536,00
10	1322	646	418,00	
	15	2174	1066	506,00
	20	3050	1495	620,00
10	1487	726	450,00	
	15	2446	1199	547,00
	20	3431	1682	671,00
10	1652	807	488,00	
	15	2718	1332	618,00
	20	3812	1868	729,00
10	1817	887	544,00	
	15	2990	1465	695,00
	20	4193	2055	825,00
10	1982	968	599,00	
	15	3262	1599	761,00
	20	4574	2242	901,00
10	2148	1049	632,00	
	15	3533	1732	805,00
	20	4956	2429	956,00
10	2313	1130	675,00	
	15	3805	1865	859,00
	20	5337	2616	1020,00
10	2478	1210	706,00	
	15	4077	1998	899,00
	20	5718	2802	1071,00

	TWIN			
	Type	Watts 75/65	Watts 55/45	€
	H 030			
11	448	215	267,00	
	16	592	281	304,00
	21	779	368	320,00
11	561	269	286,00	
	16	740	352	329,00
	21	974	460	348,00
11	673	323	304,00	
	16	888	422	354,00
	21	1169	552	378,00
11	785	376	343,00	
	16	1036	492	405,00
	21	1364	644	435,00
11	897	430	362,00	
	16	1184	563	431,00
	21	1558	736	465,00
11	1009	484	382,00	
	16	1332	633	459,00
	21	1753	828	497,00
11	1121	537	416,00	
	16	1480	703	503,00
	21	1948	920	548,00
11	1233	591	437,00	
	16	1628	774	533,00
	21	2143	1012	583,00
11	1345	645	456,00	
	16	1776	844	559,00
	21	2338	1105	613,00
11	1569	752	526,00	
	16	2072	985	644,00
	21	2727	1288	744,00
11	1794	860	600,00	
	16	2368	1126	747,00
	21	3117	1473	866,00
11	2018	967	646,00	
	16	2664	1266	809,00
	21	3506	1656	937,00
11	2242	1074	697,00	
	16	2960	1407	918,00
	21	3896	1841	1015,00
11	2466	1182	783,00	
	16	3256	1548	1041,00
	21	4286	2025	1155,00
11	2690	1289	855,00	
	16	3552	1688	1131,00
	21	4675	2209	1257,00
11	2915	1397	904,00	
	16	3848	1829	1197,00
	21	5065	2393	1334,00
11	3139	1504	961,00	
	16	4144	1970	1272,00
	21	5454	2577	1419,00
11	3363	1612	1007,00	
	16	4440	2110	1334,00
	21	5844	2761	1493,00

EN442 output at 20°C room temperature

jaga
CLIMATE
DESIGNERS

Jaga International
Verbindingslaan 16
B-3590 Diepenbeek

Tel.: +32 (0)11 29 41 12
Fax: +32 (0)11 29 41 60
export@jaga.com

The information in this price list is correct at the time of printing.
Jaga reserves the right to change product specification at any time in line
with our policy of continuous improvement and innovation.
All prices in Euro, exclude VAT. Prices valid from 1st January 2020.
Replaces all existing price lists.