

jaga

CLIMATE DESIGNERS



STRADA HYBRID

€ 2020.EX

jaga

CLIMATE DESIGNERS

STRADA HYBRID

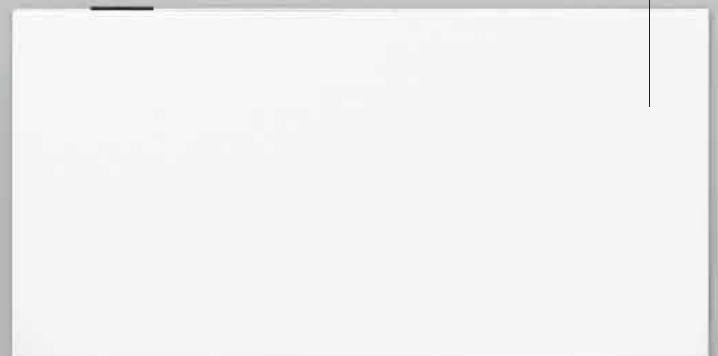
The most compact heating unit for heating or heating + cooling

Also suitable for Jaga Light cooling

- **Efficient and effortless heating with the lowest water temperature**
- **Energy-efficient non-condensing cooling in combination with any heat pump that can supply cooling water**
- **Improves the seasonal efficiency of each heat pump**
- **Makes sure that the condensing boilers are operating at their lowest temperature and as efficiently as possible.**

“From the designers of the first low temperature heater.”

Strada Hybrid T16
H50 x L120

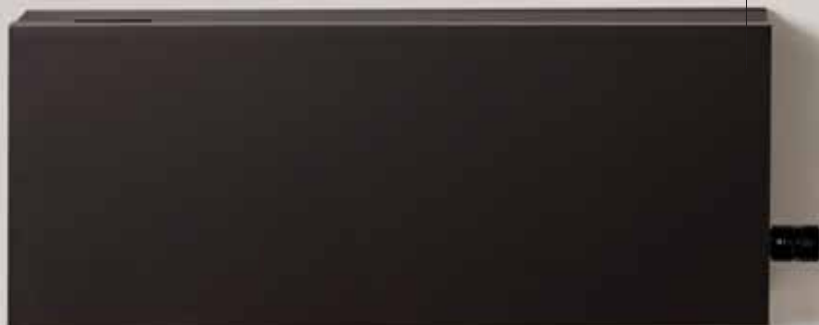




STRADA HYBRID



*Strada Hybrid T11
H35 x L100
Graphite black RAL 7021 color with Jaga JB thermostat head.*



HEATING OR HEATING + LIGHT COOLING: THE IDEAL HEAT PUMP HEATING UNIT

HIGH OUTPUT WITH ALL WATER TEMPERATURES, HOT AND COLD

New, environmentally-friendly installations require much better thermal units. This ensures a comfortable temperature at a low water temperature and a refreshing coolness with non-condensing cooling. Jaga Hybrid heating units are equipped with the brand new DBH system, DB stands for Dynamic Boost, to considerably increase the power of the heater. The H of Hybrid stands for the dual effect: heating and cooling.

- perfectly controlled heating at the lowest water temperature thanks to the hybrid system's reaction speed
- by default, suitable for energy-efficient non-condensing cooling in combination with any heat pump.

MOST RESPONSIVE OUTPUT SYSTEM CRUCIAL FOR HEATING AND COOLING DOWN

Heating

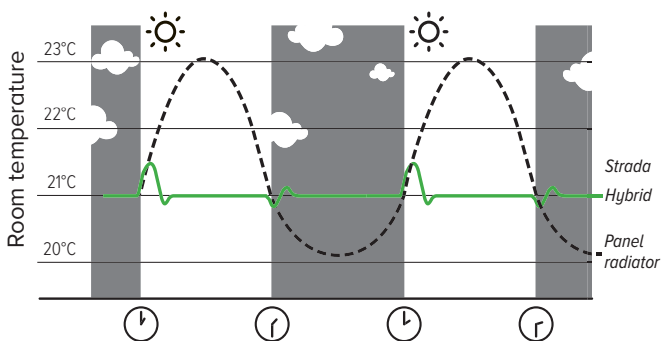
Is the oven or dishwasher on? If the sun shines inside? Your home is a dynamic given with constantly changing temperature conditions and comfort requirements. A quickly reacting heater such as Strada Hybrid anticipates this and accurately controls the temperature in all circumstances.

Jaga light cooling

The reaction capacity is also crucial for non-condensing cooling. In order to prevent moisture problems, central condensation monitoring must be provided. This can only work efficiently with a very fast-acting delivery system, which immediately adjusts the cooling system in case of a sudden rise in humidity.

More than ever, the responsiveness determines your energy consumption and your comfort.

COMPARISON OF THE REACTION TIME IN CASE OF TEMPERATURE CHANGES



MULTIFUNCTIONAL INTELLIGENCE

Auto-change-over mode (Standard)

You do not have to do anything at all to switch between heating and cooling down. Due to its accurate room – and water temperature sensors, the hybrid is fully automated. To achieve the requested temperature you can set 3 different fan speeds, depending on the room where the heating unit is located: bedroom mode max. 26 dB(A), comfort mode max. 30 dB(A) or maximum mode for rapid heating and cooling.

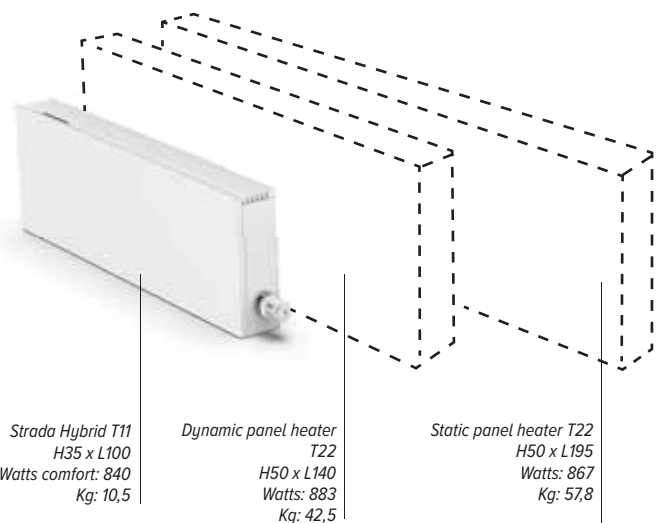
With breeze feature

The Hybrid heater's DBH system can also be activated if there is no cooling water, so without a heat pump. The vicinity of the heater can already feel less warm with just the air movement of the fans.

IDEAL FOR RENOVATIONS AND A SWITCH TO A LOWER WATER TEMPERATURE NO LARGER HEATER REQUIRED

The lower the water temperature, the less heat the heater can emit. Extra large heating units are therefore required. But not so with the Strada Hybrid. The DBH system provides sufficient additional power, and you can now switch to a very low water temperature with identical dimensions. **That is why the Strada Hybrid is the very best heat pump heating unit.**

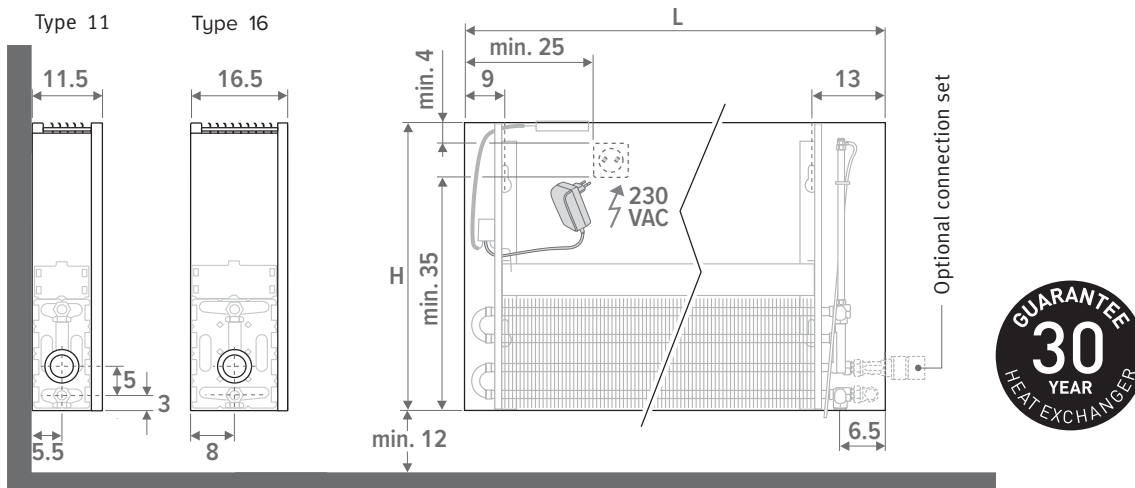
COMPARISON OF 850 WATTS AT 45/35/20 °C.



Tip: For all info on the Hybrid system see www.jaga.com/technology/heating/dbh.html

TECHNICAL INFORMATION

DIMENSIONS (in cm)



DELIVERY

Easy to install by one person. Delivered in a cardboard box, which can also be used as protection on site after installation.

Standard delivery:

- Low-H₂O heat exchanger with wall brackets and fixing kit, air vent 1/8" and drain plug 1/2"
- casing for connection left or right at low level
- cover plate in stainless steel effect for the side panel at the opposite end from the valve
- easy to install DBH-unit with operation, control and 24VDC power supply
- clear installation instructions

⚠ This heater is not equipped with a condensation monitor. It has to be integrated into the installation. (only for cooling)

COLOURS

Environmentally-friendly, scratch-resistant and UV-resistant powder coating.

Standard colours:

Colour 133: traffic white RAL 9016
soft touch lightly structured satin powder coating
Colour 001: sandblast grey
fine texture metallic powder coating

Other colours:

see colour chart on www.jaga.com

ELECTRICAL CONNECTION

The DBH system requires an electrical outlet near the heating unit. If it has a height of 50, 65 and 95 cm, an electrical outlet or power cable can be installed in the casing. If the height is 30 cm, only the power cable can be installed inside the casing. Connection to an external electrical outlet is always possible. Do not connect the electrical and hydraulic connection to the same side of the coil.

HYDRAULIC CONNECTION

Heating

Supply / return on the bottom left or right, to the wall or floor. Wall connection via bottom or completely invisible within the cladding with valve set 225/265.

Heating and cooling

The same connections and valve sets can be used for heating and cooling as for single heating. For the valve sets, use the version with the Heimeier thermostat head HC for heating and cooling or the version with a manual valve. It doesn't get any simpler!

OPERATION OF THE DBH SYSTEM

Strada Hybrid is by default equipped with the DBH-control in Auto-Change-Over mode. The desired room temperature is set via a room thermostat or the heating unit's thermostat head. The Strada Hybrid heater has accurate sensors for both the room and water temperature. DBH automatically switches between standby / heating / cooling based on the measured values.

- suitable for heating or heating and cooling with the thermostat head HC or the manual button MA.
- noise level monitoring, officially measured according to ISO 3741: 2010
- with breeze feature for a fan effect, does not depend on the water temperature.
- colored LEDs indicate the feature and the fan speed.

⚠ Het DBH-systeem will not control the heat pump or the boiler and therefore cannot replace a room thermostat

NOISE AND POWER ACCORDING TO THE LATEST EUROPEAN STANDARDS

The heat output of the Strada Hybrid was measured according to the latest European standards regarding heating units with integrated fans. Jaga is one of the first to comply with the new reference standard **EN 16430**.

The sound power (L_w) of the Strada Hybrid is measured in accordance with **ISO 3741:2010**. As is customary for the sound pressure (L_p), room attenuation of 8 dB(A) is assumed for room content of 100 m³ and a reverberation time of 0.5 sec.

HOE STRADA HYBRID SELECTEREN?

Strada Hybrid wordt geselecteerd in **comfortstand, stand 2** vetgedrukt in afgiffetabellen. Dit garandeert een stille werking op maximaal 30 dB(A). Stand 1 is een superstille slaapkamerstand met maximaal 26 dB(A). Stand 3 zorgt voor een maximale boost en de zeer hoge afgifte dient vooral om een lokaal zo snel mogelijk op te warmen en te koelen. In deze stand ligt het geluid tussen 42 en 46 dB(A).

How loud is a decibel?

dB(A)	Perception	Examples
10	hardly to hear	breathing, a falling leaf
20	just audible	radio studio, rustling of tree leaves
30	very quiet	library (30 to 40), whispering
40	quiet	living room, quiet classroom, soft buzz, fridge
50	limited sound	air conditioning, normal conversation, dishwasher

OUTPUTS STRADA HYBRID

HEIGHT 035

DIMENSIONS			POSITION	HEATING Room temperature 20°C				COOLING Room temperature 27°C	SOUND PRESSURE dB(A)	ELECTRIC POWER CONSUMPTION W	PRICE		ORDER CODE
H	L	B		75/65	55/45	45/35	35/30	16/18			Standard colours	Other colours	
cm	cm	cm		Watts	Watts	Watts	Watts	Watts		€	€		
035	060	11	1							558,00	629,00	STRW.035 060 11 /133 /ACO	
			2										
			3										
035	060	16	1							617,00	693,00	STRW.035 060 16 /133 /ACO	
			2										
			3										
035	080	11	1							632,00	710,00	STRW.035 080 11 /133 /ACO	
			2										
			3										
035	080	16	1							713,00	800,00	STRW.035 080 16 /133 /ACO	
			2										
			3										
035	100	11	1							746,00	833,00	STRW.035 100 11 /133 /ACO	
			2										
			3										
035	100	16	1							857,00	954,00	STRW.035 100 16 /133 /ACO	
			2										
			3										
035	120	11	1							820,00	921,00	STRW.035 120 11 /133 /ACO	
			2										
			3										
035	120	16	1							946,00	1058,00	STRW.035 120 16 /133 /ACO	
			2										
			3										
035	140	11	1							892,00	999,00	STRW.035 140 11 /133 /ACO	
			2										
			3										
035	140	16	1							1033,00	1151,00	STRW.035 140 16 /133 /ACO	
			2										
			3										
035	160	11	1							1085,00	1211,00	STRW.035 160 11 /133 /ACO	
			2										
			3										
035	160	16	1							1271,00	1410,00	STRW.035 160 16 /133 /ACO	
			2										
			3										
035	200	11	1							1246,00	1397,00	STRW.035 200 11 /133 /ACO	
			2										
			3										
035	200	16	1							1503,00	1672,00	STRW.035 200 16 /133 /ACO	
			2										
			3										
035	240	11	1							1543,00	1732,00	STRW.035 240 11 /133 /ACO	
			2										
			3										
035	240	16	1							1875,00	2085,00	STRW.035 240 16 /133 /ACO	
			2										
			3										
035	280	11	1							1683,00	1895,00	STRW.035 280 11 /133 /ACO	
			2										
			3										
035	280	16	1							2074,00	2311,00	STRW.035 280 16 /133 /ACO	
			2										
			3										

Output measured in accordance with EN 16430

Standard colour: **133** (traffic white RAL 9016)
or **001** (sandblast grey)
Other colours see Jaga colour chart



Tip: For all other dimensions, see www.jaga.com/Products/Horizontal/Strada/hybrid-ACO

OUTPUTS STRADA HYBRID

HEIGHT 050

DIMENSIONS			POSITION	HEATING Room temperature 20°C				COOLING Room temperature 27°C	SOUND PRESSURE dB(A)	ELECTRIC POWER CONSUMPTION W	PRICE		ORDER CODE
H cm	L cm	B cm		75/65 Watts	55/45 Watts	45/35 Watts	35/30 Watts	16/18 Watts			Standard colours €	Other colours €	
050	060	11	1 2 3							572,00	650,00	STRW.050 060 11 /133 /ACO	
050	060	16	1 2 3							631,00	714,00	STRW.050 060 16 /133 /ACO	
050	080	11	1 2 3							648,00	735,00	STRW.050 080 11 /133 /ACO	
050	080	16	1 2 3							730,00	826,00	STRW.050 080 16 /133 /ACO	
050	100	11	1 2 3							763,00	860,00	STRW.050 100 11 /133 /ACO	
050	100	16	1 2 3							875,00	982,00	STRW.050 100 16 /133 /ACO	
050	120	11	1 2 3							840,00	952,00	STRW.050 120 11 /133 /ACO	
050	120	16	1 2 3							967,00	1091,00	STRW.050 120 16 /133 /ACO	
050	140	11	1 2 3							916,00	1036,00	STRW.050 140 11 /133 /ACO	
050	140	16	1 2 3							1058,00	1189,00	STRW.050 140 16 /133 /ACO	
050	160	11	1 2 3							1113,00	1254,00	STRW.050 160 11 /133 /ACO	
050	160	16	1 2 3							1300,00	1455,00	STRW.050 160 16 /133 /ACO	
050	200	11	1 2 3							1278,00	1447,00	STRW.050 200 11 /133 /ACO	
050	200	16	1 2 3							1535,00	1723,00	STRW.050 200 16 /133 /ACO	
050	240	11	1 2 3							1581,00	1791,00	STRW.050 240 11 /133 /ACO	
050	240	16	1 2 3							1913,00	2145,00	STRW.050 240 16 /133 /ACO	
050	280	11	1 2 3							1726,00	1963,00	STRW.050 280 11 /133 /ACO	
050	280	16	1 2 3							2117,00	2380,00	STRW.050 280 16 /133 /ACO	

Output measured in accordance with EN 16430

Standard colour: **133** (traffic white RAL 9016)
or **001** (sandblast grey)
Other colours see Jaga colour chart



Tip: For all other dimensions, see www.jaga.com/Products/Horizontal/Strada/hybrid-ACO

OUTPUTS STRADA HYBRID

HEIGHT 065

DIMENSIONS			POSITION	HEATING Room temperature 20°C				COOLING Room temperature 27°C	SOUND PRESSURE	ELECTRIC POWER CONSUMPTION	PRICE Standard colours	PRICE Other colours	ORDER CODE
H	L	B		75/65	55/45	45/35	35/30	16/18	dB(A)	W	€	€	
cm	cm	cm		Watts	Watts	Watts	Watts	Watts					
065	060	11	1							587,00	673,00	STRW.065 060 11 /133 /ACO	
			2										
			3										
065	060	16	1							650,00	742,00	STRW.065 060 16 /133 /ACO	
			2										
			3										
065	080	11	1							665,00	763,00	STRW.065 080 11 /133 /ACO	
			2										
			3										
065	080	16	1							751,00	859,00	STRW.065 080 16 /133 /ACO	
			2										
			3										
065	100	11	1							782,00	890,00	STRW.065 100 11 /133 /ACO	
			2										
			3										
065	100	16	1							898,00	1017,00	STRW.065 100 16 /133 /ACO	
			2										
			3										
065	120	11	1							862,00	987,00	STRW.065 120 11 /133 /ACO	
			2										
			3										
065	120	16	1							993,00	1131,00	STRW.065 120 16 /133 /ACO	
			2										
			3										
065	140	11	1							941,00	1075,00	STRW.065 140 11 /133 /ACO	
			2										
			3										
065	140	16	1							1087,00	1234,00	STRW.065 140 16 /133 /ACO	
			2										
			3										
065	160	11	1							1141,00	1298,00	STRW.065 160 11 /133 /ACO	
			2										
			3										
065	160	16	1							1333,00	1504,00	STRW.065 160 16 /133 /ACO	
			2										
			3										
065	200	11	1							1311,00	1499,00	STRW.065 200 11 /133 /ACO	
			2										
			3										
065	200	16	1							1573,00	1781,00	STRW.065 200 16 /133 /ACO	
			2										
			3										
065	240	11	1							1620,00	1854,00	STRW.065 240 11 /133 /ACO	
			2										
			3										
065	240	16	1							1958,00	2215,00	STRW.065 240 16 /133 /ACO	
			2										
			3										
065	280	11	1							1770,00	2032,00	STRW.065 280 11 /133 /ACO	
			2										
			3										
065	280	16	1							2167,00	2456,00	STRW.065 280 16 /133 /ACO	
			2										
			3										

Output measured in accordance with EN 16430

Standard colour: **133** (traffic white RAL 9016)
or **001** (sandblast grey)
Other colours see Jaga colour chart



Tip: For all other dimensions, see www.jaga.com/Products/Horizontal/Strada/hybrid-ACO

OUTPUTS STRADA HYBRID

HEIGHT 095

DIMENSIONS			POSITION	HEATING Room temperature 20°C				COOLING Room temperature 27°C	SOUND PRESSURE dB(A)	ELECTRIC POWER CONSUMPTION W	PRICE		ORDER CODE
H cm	L cm	B cm		75/65 Watts	55/45 Watts	45/35 Watts	35/30 Watts	16/18 Watts			Standard colours €	Other colours €	
095	060	11	1							609,00	708,00	STRW.095 060 11 /133 /ACO	
			2										
			3										
095	060	16	1							678,00	785,00	STRW.095 060 16 /133 /ACO	
			2										
			3										
095	080	11	1							692,00	805,00	STRW.095 080 11 /133 /ACO	
			2										
			3										
095	080	16	1							783,00	908,00	STRW.095 080 16 /133 /ACO	
			2										
			3										
095	100	11	1							816,00	945,00	STRW.095 100 11 /133 /ACO	
			2										
			3										
095	100	16	1							937,00	1079,00	STRW.095 100 16 /133 /ACO	
			2										
			3										
095	120	11	1							900,00	1049,00	STRW.095 120 11 /133 /ACO	
			2										
			3										
095	120	16	1							1037,00	1200,00	STRW.095 120 16 /133 /ACO	
			2										
			3										
095	140	11	1							987,00	1150,00	STRW.095 140 11 /133 /ACO	
			2										
			3										
095	140	16	1							1141,00	1318,00	STRW.095 140 16 /133 /ACO	
			2										
			3										

Output measured in accordance with EN 16430

Standard colour: 133 (traffic white RAL 9016)
or 001 (sandblast grey)
Other colours see Jaga colour chart



Tip: For all other dimensions, see www.jaga.com/Products/Horizontal/Strada/hybrid-ACO

jaga
CLIMATE
DESIGNERS

Jaga International
Verbindingslaan 16
B-3590 Diepenbeek

Tel.: +32 (0)11 29 41 12
Fax: +32 (0)11 29 41 60
export@jaga.com

The information in this price list is correct at the time of printing.
Jaga reserves the right to change product specification at any time in line
with our policy of continuous improvement and innovation.
All prices in Euro, exclude VAT. Prices valid from 1st January 2020.
Replaces all existing price lists.