

jaga

CLIMATE DESIGNERS

SANI ELECTRIC: SMART ELECTRIC HEATING UNIT WITH ENERGY-SAVING ECODESIGN CONTROL.



SANI ELECTRIC: SMART ELECTRIC HEATING UNIT WITH ENERGY-SAVING ECODESIGN CONTROL.

EASY TO SET

The smart Sani Electric has a user-friendly menu with preset programming profiles for each day of the week. These can easily be adjusted to your needs on the sloping interface with the large keys.

- 5 operating modes: Auto (Program), Boost, Comfort, Eco (economy mode), Frost protection, Standby
- 5 programming profiles
- Manual and temporary cancellation of a program
- Sound-indications when operating
- Keyboard lock for children

Infrared remote control available as an option.

ENERGY EFFICIENT OPERATION

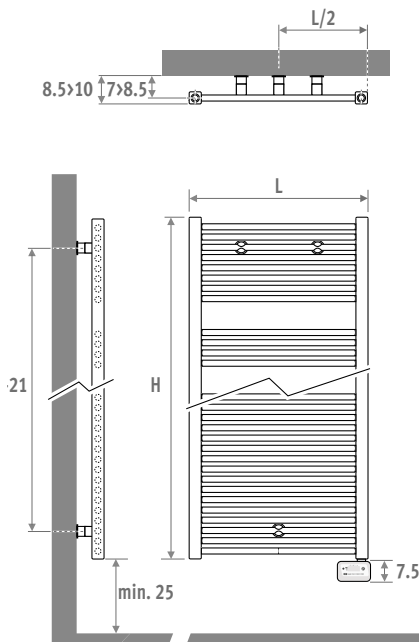
The digital Ecodesign control ensures a stable and accurate temperature and is equipped with all possible energy-saving options.

- Electronic temperature measurement and control
- Open window detection
- Frost protection
- Indication of the current energy consumption by using energy labels A/B/C
- Display of the amount of energy used in kwh/24h or since the last reset.
- Automatic switch-off of the boost function, programmable for up to 90 minutes.

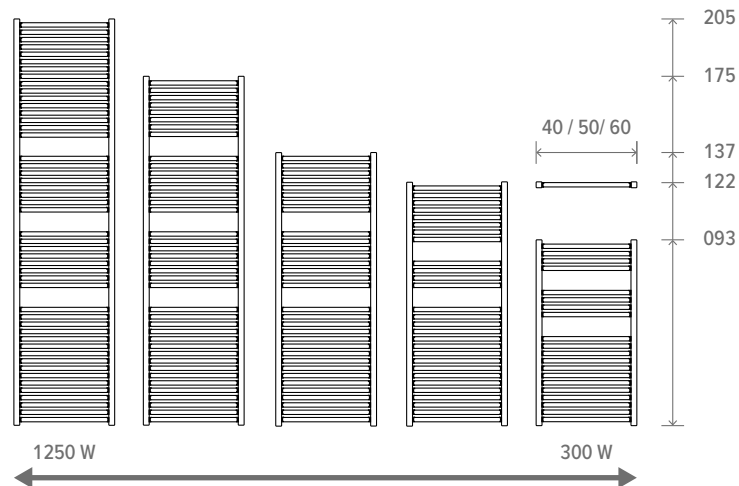


ECOdesign2018
compliant

DIMENSIONS (in cm)



RANGE



SPECIFICATIONS

- Round, horizontal radiant tubes Ø 22 mm
- Vertical steel, square heating collectors 35 mm x 35 mm
- Integrated electrical resistor with mountable controller
- White cable 1.2 m with molded plug
- White plastic mounting set for easy wall mounting
- Maximum operating temperature: 110°C
- Voltage: 230V at 50Hz
- Electrical safety class IP 44 splash-proof, suitable for zone A
- isolation class II
- Temperature preset at 19°C, adjustable from +7°C to +30°C
- Colour: traffic white RAL 9016 Satin gloss
- Pre-filled with heating fluid

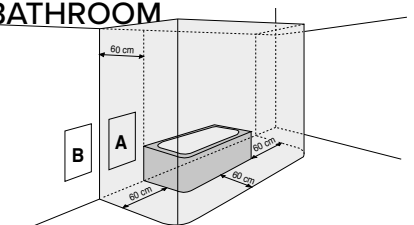
Jaga reserves the right to change product specification at any time in line with our policy of continuous improvement and innovation

OUTPUTS

	HEIGHT	LENGTH	COLOUR	HEATING	WEIGHT	PRICE
SEDW.	HHH	LLL	.233	Watts	Kg	€
SEDW.	093	040	.233	300	11.9	570,00
		050	.233	500	13.7	581,00
SEDW.	122	040	.233	500	16.1	634,00
		050	.233	750	18.5	649,00
SEDW.	137	040	.233	500	18.4	675,00
		050	.233	750	20.8	692,00
		060	.233	1000	23.5	720,00
SEDW.	175	040	.233	750	22.3	786,00
		050	.233	1000	25.5	808,00
		060	.233	1000	30.4	841,00
SEDW.	205	060	.233	1250	35.7	965,00
				Option remote control	Ordering code: 9096.020101	39,00

All prices in Euro, exclude VAT Prices valid from October 1, 2019.

LOCATION OF THE ELECTRIC HEATING UNIT IN THE BATHROOM



An electrical radiator with insulation class II may be placed in zone A. In bathrooms and kitchens the socket outlet (never a plug contact) has to be placed at a minimum height of 25cm above the floor. The radiator may never be installed lower than the adapter socket outlet. A fused spare has to be used outside the room.

In zone B, an electric radiator of insulation class II may be connected to the electricity grid via a plug contact that is placed in zone B.

The appliance must be mounted and connected by an acknowledge installer in accordance with the installation instructions and national and currently applicable local regulations.