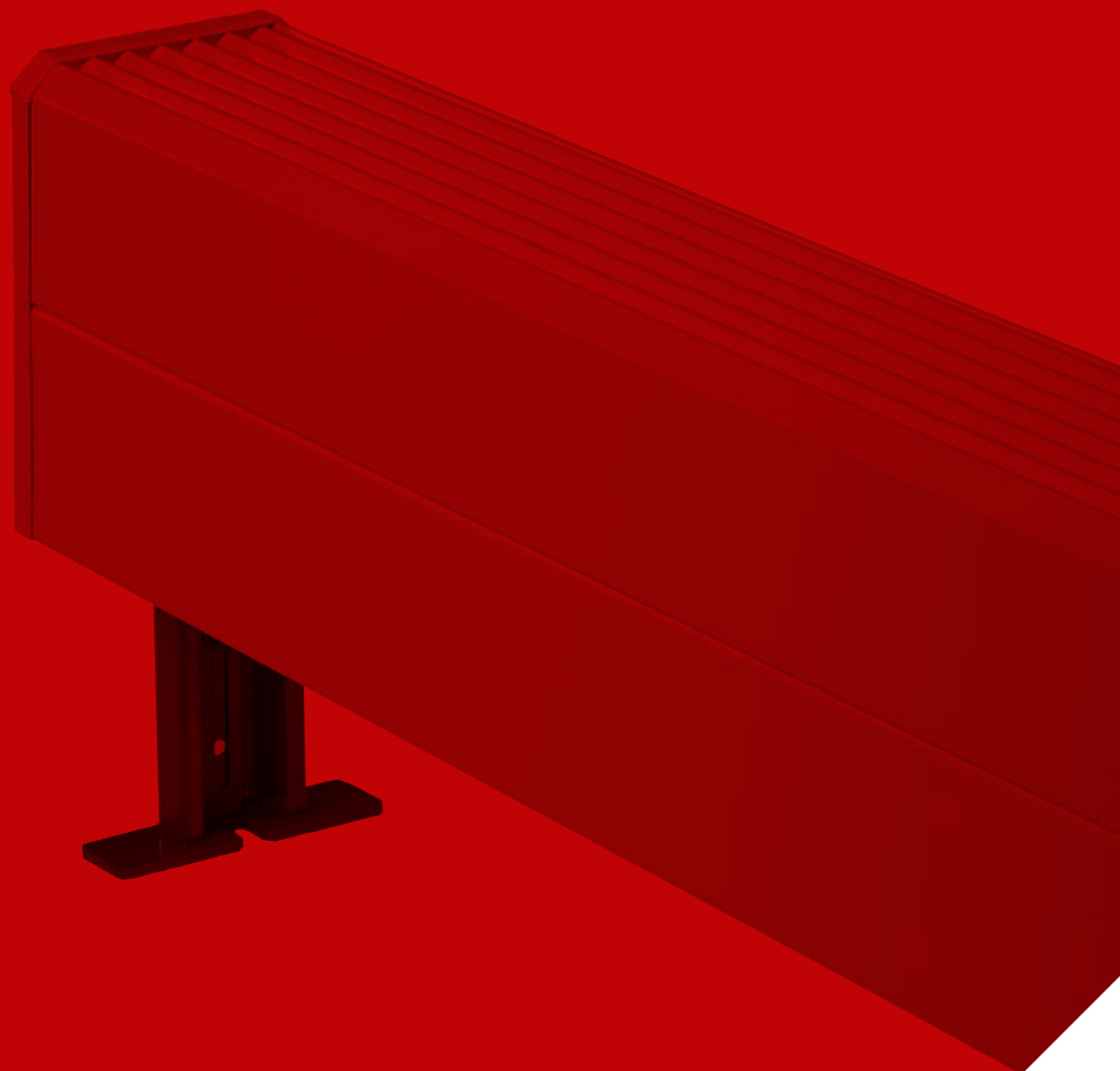


jaga

CLIMATE DESIGNERS

Heating 

TEMPO FREESTANDING € 2021.EX



jaga

CLIMATE DESIGNERS

TEMPO FREESTANDING

Warm power, simple style

- The Jaga classic for rooms with glazed façades. Efficient, freestanding Low H₂O technology.
- No wasteful heat loss from radiation through glazing.
- Light, compact and easy to handle packaging.
- Suitable for integrated valve.
- Low-H₂O technology with super conductive and ultra fast heat exchanger for low energy consumption and maximum heat emission.
- Twin Power for better compensation of the downward cold air flow next to glazed façades or ventilation grilles.
- Safe surface temperature.
- **A 30 year guarantee** on the heat exchanger.

Also available as a wall mounted model.
See page 46.

TEMPO FREESTANDING white 101 (RAL 9010)





TEMPO FREESTANDING

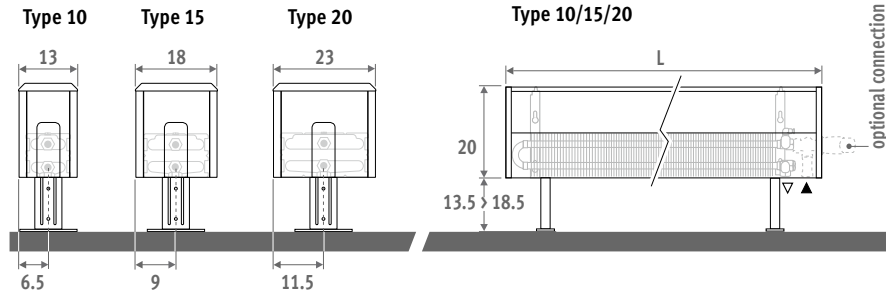
TEMPO FREESTANDING

EN 442



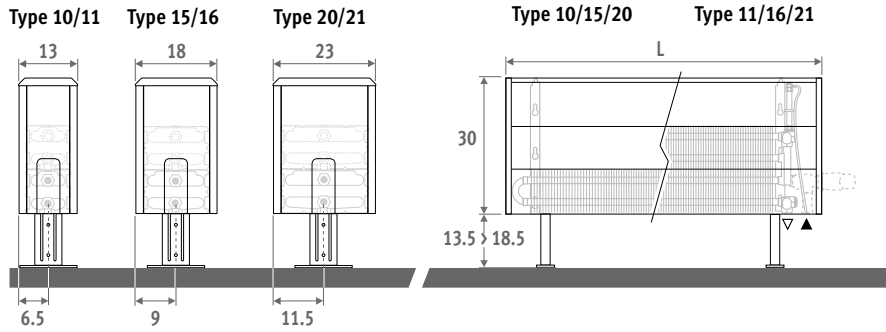
DIMENSIONS (in cm)

HEIGHT 020

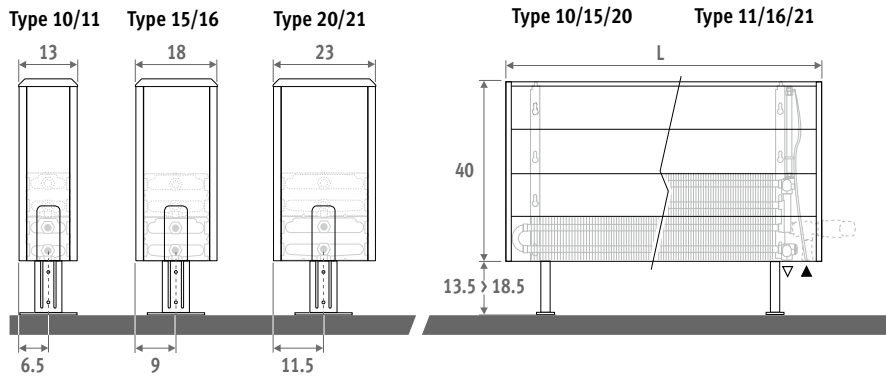


Also available as a wall mounted model. See page 46.

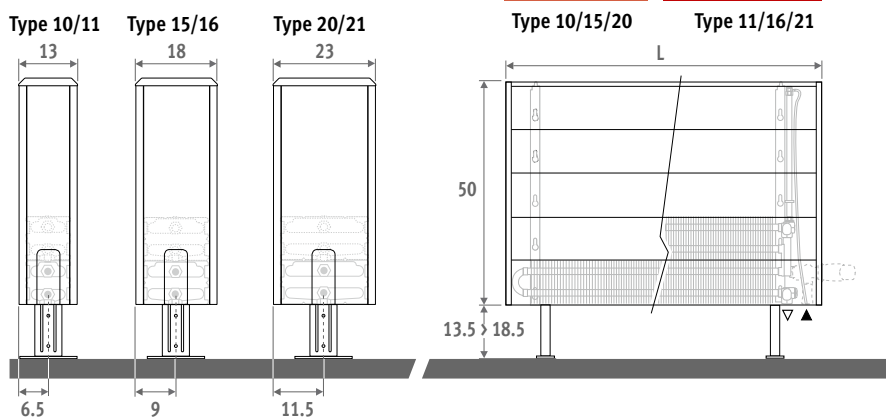
HEIGHT 030



HEIGHT 040



HEIGHT 050



TEMPO FREESTANDING

DELIVERY

Light and easily installed by one person. Delivered flat packed in 2 packages for ease of handling and storage.

standard delivery:

- Low-H₂O heat exchanger with air vent elbow (standard) or extended air vent (twin) 1/8" and drain plug 1/2"
- easy to mount casing with one closed side panel and one open panel for TRV head. The side panels can be mounted both left or right.
- standard adjustable feet in neutral grey

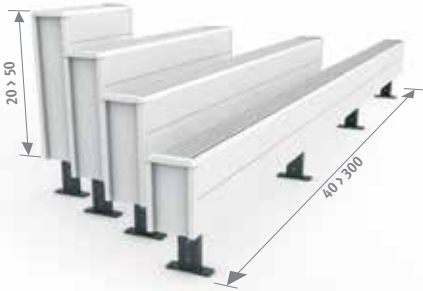
COLOUR

Scratch-resistant surface coating with a soft structured, satin gloss finish. High UV resistance.

Standard colour: white RAL 9010 (101)

CONNECTION

Standard connection: bottom end left or right



OPTIONS

Feet in the same colour as the casing

For feet in the same colour as the casing, repeat the colour code after the code of the radiator.

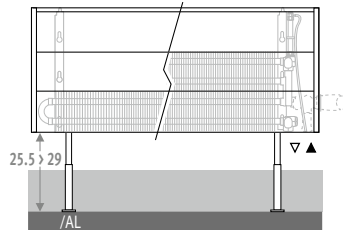
Ex.: TEMF. HHH LLL TT.101/101

Surcharge	€	
Length casing		
040 > 120	2 feet	18,00
140 > 220	3 feet	27,00
240 > 300	4 feet	35,00

Extended adjustable feet

- For installation on a rough subfloor or computer floor.
- For extended feet in neutral grey, add /AL to the ordering code.
- Ex.: TEMF. 020 040 10.101/AL
- For extended feet in the same colour as the casing, add /AL to the ordering code and repeat the colour code.
- Ex.: TEMF. 020 040 10.101/AL/101

Surcharge	€	€
Length casing	grey	colour
040 > 120	2 feet 8,20	30,00
140 > 220	3 feet 12,40	44,00
240 > 300	4 feet 15,50	59,00



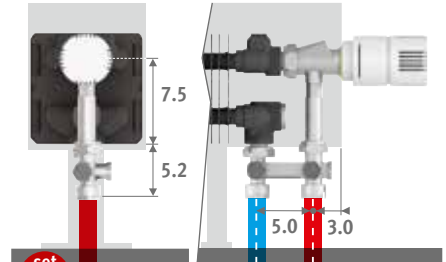
ORDERING CODE

code	height	length	type	colour
TEMF .	020	040	10 .	XXX
fill in colour code				

CONNECTION SETS

Jaga H-valve to the floor for one or two pipe

TRV head and sleeve couplings Eurocone 3/4" included.



set 104	CODE 1-PIPE/2-PIPE	€
	COLO.HBSF.AW.4...	80,00
	COLO.HBSF.JW.4...	86,00
fill in sleeve coupling code		
	Precision metal tube 14/1	114
	Precision metal tube 15/1	115
	Precision metal tube 16/1	116
	RPE/ALU tube 16/2	616

Other connection sets and sleeve couplings

See chapter "Connection sets and valves Low-H₂O" for all connection options and technical information



TEMPO FREESTANDING

TEMF.HHH LLL TT.101

	STANDARD			
	Type	Watts 75/65	Watts 55/45	€
L	H 020			
040	10	262	126	174,00
	15	436	211	199,00
	20	613	296	225,00
050	10	328	158	186,00
	15	545	263	214,00
	20	766	370	243,00
060	10	393	189	198,00
	15	654	316	231,00
	20	919	444	264,00
070	10	459	221	222,00
	15	763	369	262,00
	20	1072	518	303,00
080	10	524	252	234,00
	15	872	421	278,00
	20	1226	592	323,00
090	10	590	284	247,00
	15	981	474	296,00
	20	1379	666	345,00
100	10	655	316	269,00
	15	1090	526	322,00
	20	1532	740	379,00
110	10	721	347	282,00
	15	1199	579	343,00
	20	1685	814	403,00
120	10	786	379	294,00
	15	1308	632	357,00
	20	1838	888	423,00
140	10	917	442	345,00
	15	1526	737	418,00
	20	2145	1036	517,00
160	10	1048	505	391,00
	15	1744	842	482,00
	20	2451	1184	599,00
180	10	1179	568	420,00
	15	1962	948	521,00
	20	2758	1332	648,00
200	10	1310	631	453,00
	15	2180	1053	588,00
	20	3064	1480	702,00
220	10	1441	694	508,00
	15	2398	1158	663,00
	20	3370	1628	797,00
240	10	1572	757	559,00
	15	2616	1264	726,00
	20	3677	1776	871,00
260	10	1703	820	590,00
	15	2834	1369	768,00
	20	3983	1924	925,00
280	10	1834	884	629,00
	15	3052	1474	819,00
	20	4290	2072	985,00
300	10	1965	947	658,00
	15	3270	1579	857,00
	20	4596	2220	1034,00

	STANDARD			
	Type	Watts 75/65	Watts 55/45	€
H	030			
10	330	160		190,00
15	544	264		214,00
20	762	370		239,00
10	413	200		202,00
15	680	330		231,00
20	953	463		260,00
10	496	240		216,00
15	815	396		248,00
20	1144	556		281,00
10	578	280		243,00
15	951	462		281,00
20	1334	648		322,00
10	661	320		255,00
15	1087	528		299,00
20	1525	741		345,00
10	743	360		271,00
15	1223	594		319,00
20	1715	834		369,00
10	826	400		295,00
15	1359	660		348,00
20	1906	926		406,00
10	909	440		311,00
15	1495	727		371,00
20	2097	1019		431,00
10	991	480		323,00
15	1631	793		387,00
20	2287	1112		453,00
10	1156	560		381,00
15	1903	925		454,00
20	2668	1297		552,00
10	1322	640		431,00
15	2174	1057		521,00
20	3050	1482		639,00
10	1487	720		464,00
15	2446	1189		563,00
20	3431	1668		691,00
10	1652	800		503,00
15	2718	1321		637,00
20	3812	1853		751,00
10	1817	880		560,00
15	2990	1453		716,00
20	4193	2038		850,00
10	1982	960		617,00
15	3262	1585		784,00
20	4574	2223		928,00
10	2148	1040		651,00
15	3533	1717		829,00
20	4956	2409		985,00
10	2313	1120		695,00
15	3805	1849		885,00
20	5337	2594		1051,00
10	2478	1200		727,00
15	4077	1981		926,00
20	5718	2779		1103,00

	TWIN			
	Type	Watts 75/65	Watts 55/45	€
11	448	213		275,00
16	592	279		313,00
21	779	365		330,00
11	561	267		295,00
16	740	349		339,00
21	974	456		358,00
11	673	320		313,00
16	888	418		365,00
21	1169	547		389,00
11	785	373		353,00
16	1036	488		417,00
21	1364	639		448,00
11	897	426		373,00
16	1184	558		444,00
21	1558	730		479,00
11	1009	479		393,00
16	1332	628		473,00
21	1753	821		512,00
11	1121	533		428,00
16	1480	697		518,00
21	1948	912		564,00
11	1233	586		450,00
16	1628	767		549,00
21	2143	1003		600,00
11	1345	639		470,00
16	1776	837		576,00
21	2338	1095		631,00
11	1569	745		542,00
16	2072	976		663,00
21	2727	1277		766,00
11	1794	852		618,00
16	2368	1116		769,00
21	3117	1460		892,00
11	2018	959		665,00
16	2664	1255		833,00
21	3506	1642		965,00
11	2242	1065		718,00
16	2960	1395		946,00
21	3896	1824		1045,00
11	2466	1172		806,00
16	3256	1534		1072,00
21	4286	2007		1190,00
11	2690	1278		881,00
16	3552	1674		1165,00
21	4675	2189		1295,00
11	2915	1385		931,00
16	3848	1813		1233,00
21	5065	2372		1374,00
11	3139	1491		990,00
16	4144	1953		1310,00
21	5454	2554		1462,00
11	3363	1598		1037,00
16	4440	2092		1374,00
21	5844	2736		1538,00

EN442 output at 20°C room temperature

jaga
CLIMATE
DESIGNERS

Jaga International
Verbindingslaan 16
B-3590 Diepenbeek

Tel.: +32 (0)11 29 41 12
Fax: +32 (0)11 29 41 60
export@jaga.com

The information in this price list is correct at the time of printing.
Jaga reserves the right to change product specification at any time in line
with our policy of continuous improvement and innovation.
All prices in Euro, exclude VAT. Prices valid from February 1, 2021.
Replaces all existing price lists.