



jaga



TOP
PERFORMERS

BRIZA
€ 2019.EX



BRIZA

Super slim and powerful
heating, cooling

Briza is a climate unit with a dual personality: a Hybrid that provides comfortable heat in winter and refreshing cooling in summer. It provides you with an optimum indoor climate throughout the year.

The power behind the Briza comfort system is the ingenious Low-H₂O technology, combined with a near silent dynamic system. Briza is the slimmest hybrid available on the market with this much power. It's like putting the power of a Jaga Ventilò in a slender design radiator. That also makes Briza ideal for connecting to low-temperature systems like heat pumps, solar energy systems and condensing boilers.

Using the latest EC motors enables Brizas to consume up to 50% less electrical energy than traditional motors, and enables remote control using the latest home automation and building management systems.

Suitable for non-condensing
and condensing cooling with
chilled water



BRIZA sandblast grey

jaga
Hybrid
Heating

BRIZA

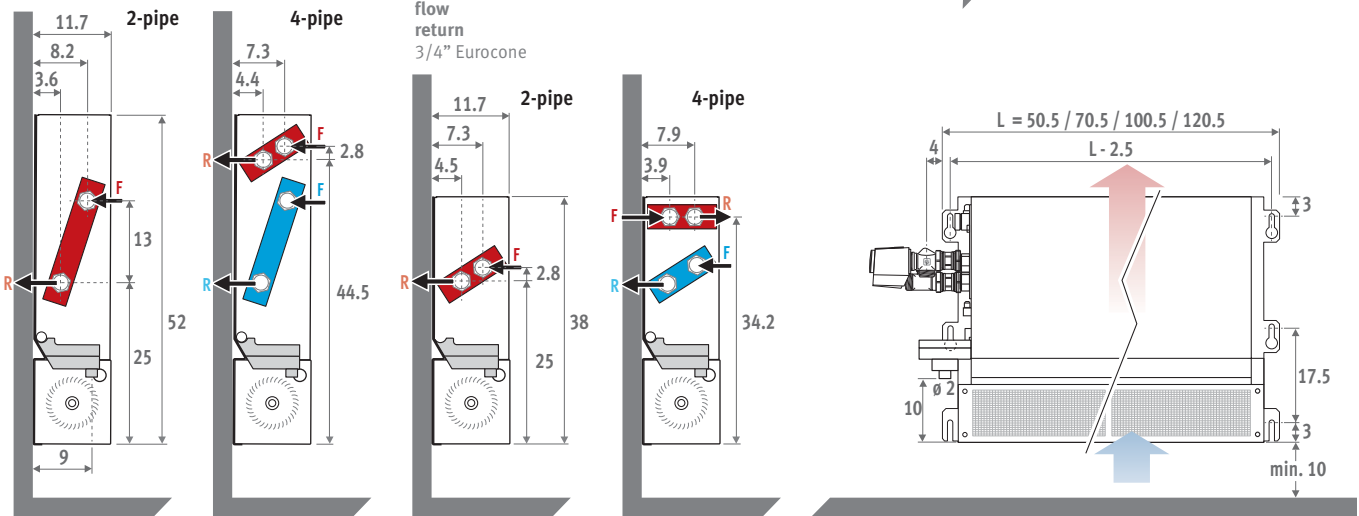


BRIZA

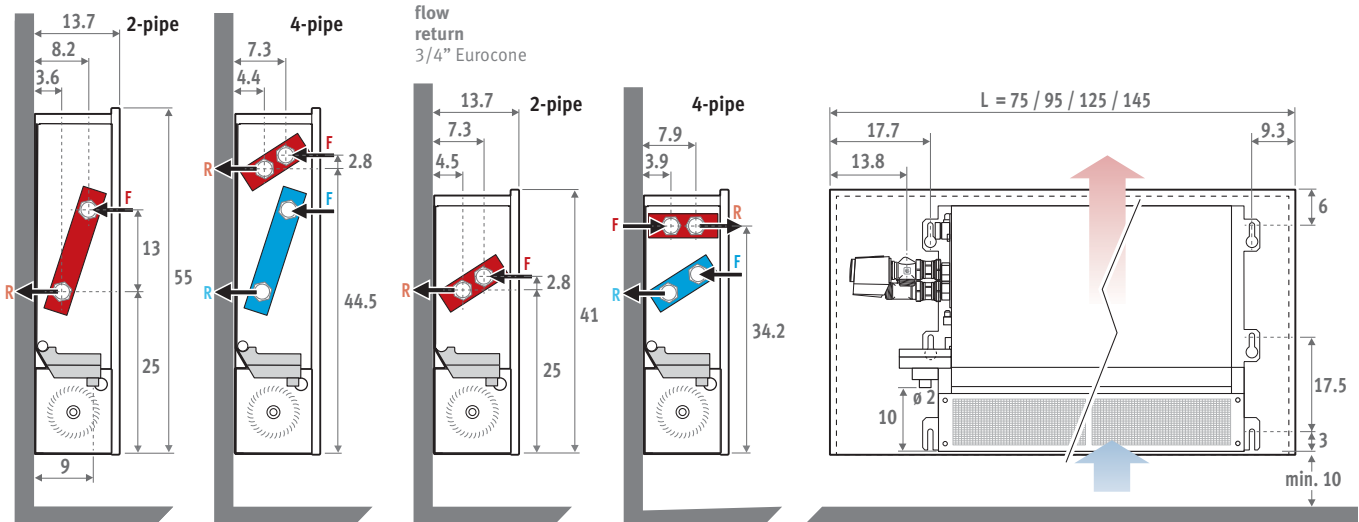


DIMENSIONS (in cm)

RECESSED/PANEL MOUNTED BZBW/BZBC



WITH CASING BZMW/BZMC



ORDERING CODE 2-PIPE

code height length colour conn.
BZMW . 041 075 . XXX /20
 enter colour code ↓

ORDERING CODE 4-PIPE

code height length colour 4-pipe conn.
BZMW . 041 075 . XXX /4 /20
 enter colour code ↓

EASY TO INSTALL

The Briza is light and compact. The construction is designed to have sufficient space for simple connection and installation of accessories within the dimensions of the Briza.

STANDARD DELIVERY

Pre-assembled radiator, delivered in a practical cardboard box. For shops, offices, schools, hotels, conference rooms, etc...

Type BZMC and BZMW are equipped with a casing in sendzimir galvanized steel plate with an aluminum top grille, finished in the same colour as the radiator.

Standard delivery includes:

- tangential activators with aluminium fins, ball bearings and resin-coated EPDM vibration damping
- stainless steel air filter
- ABS condensation tray with drain

COLOURS

Scratch resistant epoxy-polyester finish with a structured satin gloss surface. High UV resistance.

Standard colours:

- traffic white RAL 9016 (133), soft touch lightly structured satin lacquer
- sandblast grey (001), fine texture metallic lacquer

Other colours: see colour chart

HYDRAULIC CONNECTION & ELECTRICAL CONNECTION

Jaga's extensive range offers a Briza for every application:

- heating or cooling using a 2-pipe heat exchanger for hydraulic heating systems.
- heating and cooling using two 4-pipe heat exchangers for two separated hydraulic systems.

Standard connection:

- hydraulic connections eurocone 3/4" on the left hand side
- clamp connector for electric connection 24VDC, to connect via an external power supply, on the right hand side.

Other connections:

- hydraulic right, electric left: connection code /70 instead of /20.

No surcharge.



In all ceiling models, the hydraulic connection and the condensate drain are always on the left!



2-PIPE

		HEATING									COOLING						WALL		CEILING				
		Watts 75/65/20°C			Watts 55/45/20°C			Watts 35/30/20°C			Watts total 7/12°C - 25°C D.B. 50% R.H.			Watts sensible 7/12°C - 25°C D.B. 50% R.H.			€	€	€	€			
		10 V	6 V	2 V	10 V	6 V	2 V	10 V	6 V	2 V	10 V	6 V	2 V	10 V	6 V	2 V	st. colour	other	st. colour	other			
H L BUILDING-IN																				BZBW.HHH LLL /20		BZBC.HHH LLL /20	
038	052	1836	1310	1000	1102	786	600	459	328	250	486	360	235	365	270	176	572,70	---	572,70	---			
	072	3021	2100	1620	1813	1260	972	755	525	405	800	575	410	600	431	308	623,00	---	623,00	---			
	102	4798	3400	2600	2879	2040	1560	1200	850	650	1270	895	675	953	671	506	774,70	---	774,70	---			
	122	5983	4300	3275	3590	2580	1965	1496	1075	819	1584	1125	817	1188	844	613	830,30	---	830,30	---			
052	052	2717	2110	1500	1630	1266	900	679	528	375	721	550	386	541	413	290	740,50	---	740,50	---			
	072	4499	3500	2465	2699	2100	1479	1125	875	616	1193	920	660	895	690	495	830,30	---	830,30	---			
	102	7172	5550	3895	4303	3330	2337	1793	1388	974	1902	1465	1050	1427	1099	788	1032,20	---	1032,20	---			
	122	8953	6915	4650	5372	4149	2790	2238	1729	1163	2375	1839	1295	1781	1379	971	1127,70	---	1127,70	---			
H L WITH CASING																				BZMW.HHH LLL .XXX/20		BZMC.HHH LLL .XXX/20	
041	075	1670	1200	904	1002	720	542	418	300	226	442	325	238	332	244	179	667,90	741,40	667,90	741,40			
	095	2749	1796	1545	1649	1078	927	687	449	386	728	520	395	546	390	296	729,80	810,10	729,80	810,10			
	125	4366	3085	2430	2620	1851	1458	1092	771	608	1155	820	648	866	615	486	906,20	1005,60	906,20	1005,60			
	145	5444	3896	2999	3266	2338	1799	1361	974	750	1441	1040	850	1081	780	638	970,20	1077,10	970,20	1077,10			
055	075	2588	2000	1400	1553	1200	840	647	500	350	686	526	350	515	395	263	858,30	944,10	858,30	944,10			
	095	4285	3310	2250	2571	1986	1350	1071	828	563	1137	880	610	853	660	458	953,60	1049,20	953,60	1049,20			
	125	6830	5276	3560	4098	3166	2136	1708	1319	890	1812	1395	980	1359	1046	735	1183,70	1302,10	1183,70	1302,10			
	145	8527	6595	4510	5116	3957	2706	2132	1649	1128	2264	1745	1220	1698	1309	915	1290,30	1419,40	1290,30	1419,40			

4-PIPE

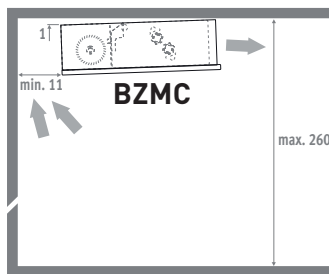
		HEATING									COOLING						WALL		CEILING				
		Watts 75/65/20°C			Watts 55/45/20°C			Watts 35/30/20°C			Watts total 7/12°C - 25°C D.B. 50% R.H.			Watts sensible 7/12°C - 25°C D.B. 50% R.H.			€	€	€	€			
		10 V	6 V	2 V	10 V	6 V	2 V	10 V	6 V	2 V	10 V	6 V	2 V	10 V	6 V	2 V	st. colour	other	st. colour	other			
H L BUILDING-IN																				BZBW.HHH LLL /4/20		BZBC.HHH LLL /4/20	
038	052	1468	1050	799	881	630	479	367	263	200	388	290	207	291	218	155	678,60	---	678,60	---			
	072	2416	1676	1342	1450	1006	805	604	419	336	640	458	340	480	344	255	745,90	---	745,90	---			
	102	3838	2725	2101	2303	1635	1261	960	681	525	1016	720	558	762	540	419	947,80	---	947,80	---			
	122	4786	3425	2605	2872	2055	1563	1197	856	651	1264	902	685	948	677	514	1026,90	---	1026,90	---			
052	052	1157	829	640	694	497	384	289	207	160	541	420	296	406	315	222	819,00	---	819,00	---			
	072	1903	1315	1050	1142	789	630	476	329	263	895	692	482	671	519	362	925,60	---	925,60	---			
	102	3023	2148	1650	1814	1289	990	756	537	413	1427	1105	789	1070	829	592	1138,80	---	1138,80	---			
	122	3769	2700	2002	2261	1620	1201	942	675	501	1781	1380	962	1336	1035	722	1256,60	---	1256,60	---			
H L WITH CASING																				BZMW.HHH LLL .XXX/4/20		BZMC.HHH LLL .XXX /4/20	
041	075	1336	948	698	802	569	419	334	237	175	353	265	191	265	199	143	773,70	860,00	774,70	860,00			
	095	2199	1525	1210	1319	915	726	550	381	303	582	422	305	437	317	229	852,70	946,50	852,70	946,50			
	125	3492	2467	1924	2095	1480	1154	873	617	481	924	657	496	693	493	372	1080,40	1198,90	1080,40	1198,90			
	145	4355	3118	2380	2613	1871	1428	1089	780	595	1153	827	601	865	620	451	1166,90	1295,10	1166,90	1295,10			
055	075	1102	778	610	661	467	366	276	195	153	515	400	285	386	300	214	936,80	1031,20	936,80	1030,00			
	095	1813	1250	1000	1088	750	600	453	313	250	852	656	465	639	492	349	1049,20	1154,00	1049,20	1154,00			
	125	2879	2040	1570	1727	1224	942	720	510	393	1359	1052	725	1019	789	544	1290,30	1408,80	1290,30	1408,80			
	145	3590	2560	1979	2154	1536	1187	898	640	495	1696	1311	945	1272	983	709	1419,40	1548,40	1419,40	1548,40			

BRIZA - TECHNICAL INFORMATION

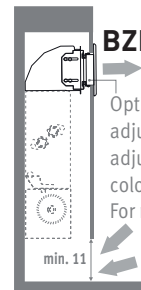
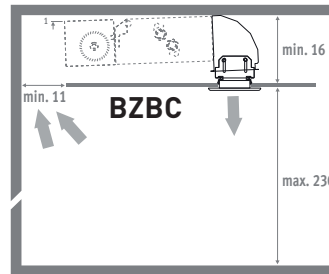
	SOUND PRESSURE* <i>according to ISO 3741:2010</i>						RATED INPUT						AIR FLOW <i>with clean filters</i>						WATER FLOW <i>litre/h</i>			
	dB(A)						Watts						m ³ /uh						heating		cooling	
	10V		6V		2V		10V		6V		2V		10V		6V		2V		75/65/20°C		7/12/25°C	
L	H 038			H 041			H 038/041															
052/075	44.0	32.5	19.0	42.5	31.3	18.5	13.0	4.3	1.6	13.7	4.8	1.8	235	155	70	157	95	32	158	127	84	67
072/095	45.0	34.9	21.5	44.5	36.8	24.0	18.0	7.2	2.5	14.4	5.7	2.0	380	245	119	252	158	57	260	208	138	110
102/125	48.5	38.0	23.1	47.0	37.0	24.6	24.0	8.0	2.6	20.9	7.4	2.3	492	328	160	400	242	80	414	331	219	175
122/145	48.0	38.4	26.0	47.0	37.3	25.7	28.8	10.3	2.8	28.8	9.0	2.5	560	410	190	420	249	98	516	413	273	218
L	H 052			H 055			H 052/055															
052/075	44.0	33.9	21.0	42.5	32.2	19.2	15.8	5.5	2.0	10.3	3.6	1.6	250	169	89	188	118	30	234	100	124	93
072/095	45.0	34.6	21.8	43.5	34.4	23.0	16.6	5.7	2.2	15.6	5.9	2.1	365	262	127	282	185	79	388	164	206	154
102/125	48.0	37.7	24.0	46.5	36.5	23.1	28.8	10	2.8	22.3	7.5	2.3	513	353	168	423	286	123	618	261	328	246
122/145	48.5	39.0	26.2	46.5	37.5	25.0	28.8	10	2.8	27.3	9.1	2.7	583	396	200	508	334	139	772	325	409	307

* With an assumed room attenuation of 8 dB(A) / content of the room 75 m³ / reverberation time 0.5 sec.
Correction factors & pressure drop: see "Technical info" chapter

CEILING-MOUNTED MODEL



BUILT-IN MODEL WITH AIR OUTLET CORNER PIECE

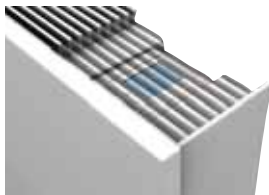


BZBW

Option for Briza wall and ceiling recessed: adjustable corner piece 90° with adjustable air exhausting grille in natural coloured aluminium.
For more info: contact Jaga

BRIZA - OPTIONS

BUILT-IN THERMOSTAT



- for 2 or 4 pipe wall mounted model with casing
- modulating heating / cooling 2-10V
- preassembled power supply 230 VAC to 24 VDC for the fan
- including fully preassembled two-way valve(s) 24 VDC
- LCD display with backlight
- can be programmed for 2 half-days
- manual changeover between heating and cooling
- manual on/off or 3-position control outputs
- speed selection auto 2-10V or manual
- Briza automatically switches fans via a temperature sensor:
 - heating onwards of 28°C
 - cooling below 18°C
- order sleeve couplings M24: see p. 154

CODE		Surcharge €
/T2	2-pipe	430,00
/T4	4-pipe	513,00

Add /T2 or /T4 to the code of Briza.

Example 2-pipe: BZMW. 041 072. XXX /2/20 /T2

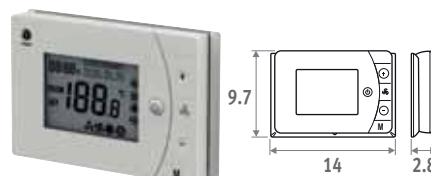
4-pipe: BZMW. 041 072. XXX /4/20 /T4

CLOCK THERMOSTATS HEATING / COOLING

The general characteristics in bold below are valid for the thermostats 8751.050013 - 8751.050012 - 8751.050009

- automatic thermostat for
 - 2-pipe: heating/cooling or auto
 - 4-pipe: heating/cooling or auto
- ventilator speed: 4V/6V/10V or auto
- power supply 24 VDC
- output control 0-10 VDC
- **1 clock thermostat per room**
- **3 programmable zones: 5+1+1**
- **LCD display with background lighting**
- **protection category IP30**

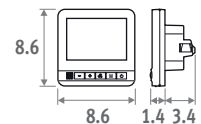
Jaga clock thermostat for wall mounting



- 2 potential-free contacts heating/cooling (f.e. valve control 24 VDC or 230 VAC)
- with key card contact / window contact
- can be mounted on a junction box with screw holes at 6 cm

CODE		€
8751.050013	wall mounted	76,30

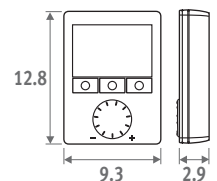
Jaga clock thermostat for recessed/panel mounting



- control valves 24 VDC heating/cooling
- thermostat to be mounted in a junction box
 - spacing holes at 6 cm
 - minimum depth 4.5 cm
 - inner dimension 5 x 5 cm or Ø 6 cm

CODE		€
8751.050012	recessed/panel mounted	80,90

Siemens clock thermostat for wall mounting



- unlimited adjustment possibilities: 74 features and diagnostic test
- For more information contact Jaga
- ☎ +32 11 29 41 12 - ✉ export@jaga.be or your local dealer.

CODE		€
8751.050009	wall mounted	239,60

PRE-ASSEMBLED JAGA DYNAMIC PRODUCT CONTROLLER (JDPC)

Multifunctional controller for dynamic heating and cooling devices provided with one or more built-in fans. The Jaga Dynamic Product Controller is pre-configured and assembled inside the device. The configuration options are device dependent, and are selected using the code shown on the sticker in the device.

- control per appliance
- auto switch heating/cooling
- indication of operating mode by LED's



Touch operation

Product controller

WITH CONTROL PANEL

- only for 2 pipe wall mounted model with casing
 - control with touch operation and sensors for water and room temperature, pre-configured and assembled by Jaga
 - power supply 24 VDC
 - heating/cooling/standby with automatic switch (temporary manual adjustment is possible: contact Jaga for more information)
 - ventilator settings:
 - o standby
 - o heating: 3 speeds (operates at water temperature >28°C, can easily be modified)
 - o cooling: 3 speeds (operates at water temperature <18°C, can easily be modified)
 - 0-10 V input for building management system/thermostats
- For more information contact Jaga
☎ +32 11 29 41 12 - ✉ export@jaga.be or your local dealer.

CODE		Surcharge €
DPC.BRC4	Heating	92,80
DPC.BRC6	Heating and cooling	99,30

WITHOUT CONTROL PANEL

- for 2 pipe model for building-in
 - control without operation and with sensors for water and room temperature, pre-configured and assembled by Jaga
 - power supply 24 VDC
 - auto switch heating/cooling/standby
 - 1 fan speed heating (starts at water t° >28°C, easily adjustable)
 - 1 fan speed cooling (starts at water t° <18°C, easily adjustable)
 - 0-10 V input for building management system/thermostats
- For more information contact Jaga
☎ +32 11 29 41 12 - ✉ export@jaga.be or your local dealer.

CODE		Surcharge €
DPC.BRC3	Heating and cooling	78,40

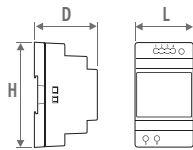
RECOMMENDED COMBINATIONS

	Heating and/or cooling			Heating
	Including thermostat	Including built-in thermostat	Without thermostat	Radiator version with thermostatic head
Product	Briza	Briza	Briza	Briza
Regulation	Thermostat heating / cooling Ordering code 8751.050009	Built-in and pre-wired thermostat option /T	Pre-mounted JDPC with control panel DPC.BRC4 for heating or DPC.BRC6 for heating and cooling	Thermostatic head option /RAD For more information, contact Jaga: +32 11 29 41 12 or export@jaga.be
Power supply	Pre-mounted power supply option /P	Power supply included	Pre-mounted power supply option /P	Pre-mounted power supply included
Connection set	Connection set 95 with motor 24 VDC 0-10V Ordering code CODY.SC5.10.3... (fill in sleeve coupling code: see p. 312)	Connection set included (fill in sleeve coupling code: see p. 154)	Connection set 90 with 2 lockshields Ordering code CODY.LOC.00.3... (fill in sleeve coupling codes: see p. 312)	Pre-mounted connection set included (fill in sleeve coupling code: see p. 154)

POWER SUPPLY DIN-RAIL MONTAGE



The guarantee is only valid if the original Jaga power supply is used.



CODE	H	L	D
7990.054	9.0	3.5	5.9
7990.055	9.0	5.3	5.9
7990.056	9.0	7.0	5.9
7990.053	12.5	12.6	8.3

- for DIN-rail or wall mounting
- conformity UL60950 / UL508 / IEC 60950-1 / TUV EN61558-2-16 / Class 2
- output voltage 24 VDC / input 100 - 240 VAC
- screw connection and LED indicator

CODE	Output Watts	Output current A	€
7990.054	36	1.5	36,90
7990.055	60	2.5	49,80
7990.056	92	3.9	71,80
7990.053	240	10	157,50

Required power = sum of the power consumption of the devices

MAXIMUM CABLE LENGTH

In function of the number of devices: see <http://www.jaga.com/en/products/horizontal/briza>

PRE-MOUNTED POWER SUPPLY

- with waterproof cable gland
- conformity: UL60950 - EN 60950 / Class 2
- output voltage 24 VDC
- input voltage 100 - 240 VAC
- Dimension L 14.5 x B 4.5 x H 3.0 cm

CODE	Output Watts	Output current A	€
/P	30	1.25	91,60

Add /P to the code of Briza.
Example: BZMW. 041 072. XXX /20 /P

CONNECTION SET 24 VDC



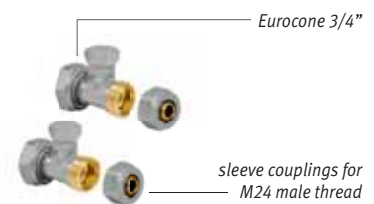
- thermoelectric drive 24 VDC 0-10V of 24VDC
- valve Eurocone 3/4" x M24 90°
- lockshield Eurocone 3/4" x M24 180°
- pressure drop graph Jaga valve: see p. 160

set 95 Kv max. 0.6

CODE	Output	€
CODY.SC5.24.3...	24 VDC	98,30
CODY.SC5.23.3...	230 VAC	98,30
CODY.SC5.10.3...	0...10 VDC	170,00

fill in sleeve coupling code see p. 312

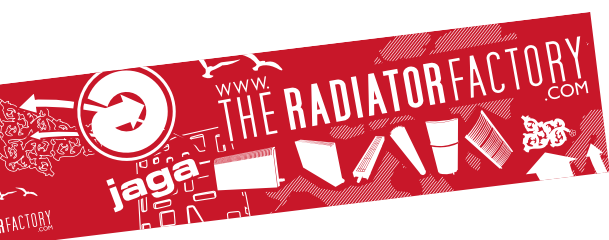
CONNECTION SET WITH 2 LOCKSHIELDS M24 180°



set 96

CODE	€
CODY.LOC.00.3...	53,60

fill in sleeve coupling code: see p. 312



Jaga International
Verbindingslaan 16
B-3590 Diepenbeek

Tel.: +32 (0)11 29 41 12
Fax: +32 (0)11 29 41 60
export@jaga.com

The information in this price list is correct at the time of printing.
Jaga reserves the right to change product specification at any time in line
with our policy of continuous improvement and innovation.
All prices in Euro, exclude VAT. Prices valid from 1st January 2019.
Replaces all existing price lists.