

jaga

CLIMATE DESIGNERS

Heating



Light cooling



Deep cooling



CLIMA CANAL 10 - 13 - 19 € 2020.EX



jaga

CLIMATE DESIGNERS

CLIMA CANAL

Complete climate control

Very high power level for heating and cooling

A very high power level for heating and cooling. Despite its compact dimensions, the Clima Canal is very powerful. It's compatible with any heat source, and perfect for low temperature heat pumps. Suitable for both light cooling (non-condensing) and deep cooling. All Clima Canal units with a height of 10/13/19 come equipped with a condensation drain and have been developed to quietly generate high power levels within a compact space.

Ventilate comfortably

Jaga Clima Canal can optionally be provided with a ventilation connection. The Clima Canal can thus provide comfortable and pre-heated ventilation while being completely integrated into the floor.

With energy-efficient EC- motors

By making use of the latest EC-motors, the Clima Canal units use 50 % less electrical energy. Moreover, these EC-motors can be controlled through the latest home automation systems via their 0-10 VDC speed control.

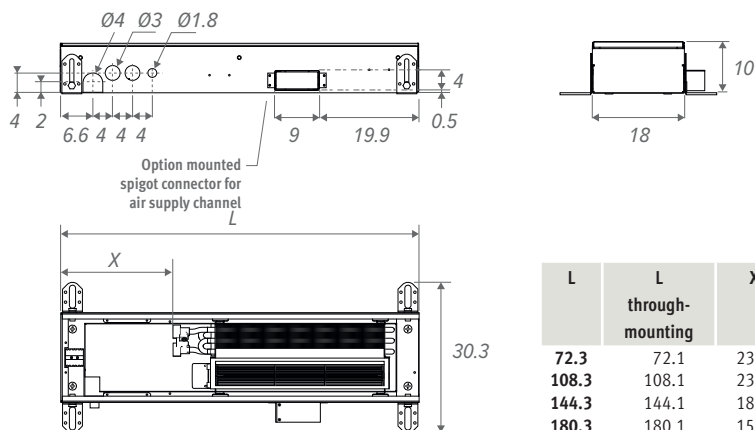




CLIMA CANAL 10-13 - 19

CLIMA CANAL 10 - SUMMARY

DIMENSIONS (in cm)



Building in-opening: +0.5 cm

HYDRAULIC CONNECTION

- one-sided 2-pipe connection on the left
- always install Clima Canal with the heat exchanger on the window or wall side
- 2 x 1/2" stainless steel hose included
- allow extra space for curtains, in between the window and the canal.
- The heat exchanger must always be kept accessible for maintenance purposes
- if the appliance is not mounted flat on the floor, the space between the bottom of the appliance and the floor should be filled with a stable filler material.

ELECTRIC CONNECTION

- clamp connector for 24VDC electrical connection, left side, to be connected via external power supply.
- control of speed activator(s) 0-10V

COMPOSITION

Cover plate

grille

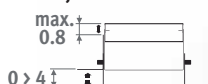
several styles and colours in anodized aluminium and a range of wood finishes

Stainless steel flexible connections 1/2". Length 15 cm

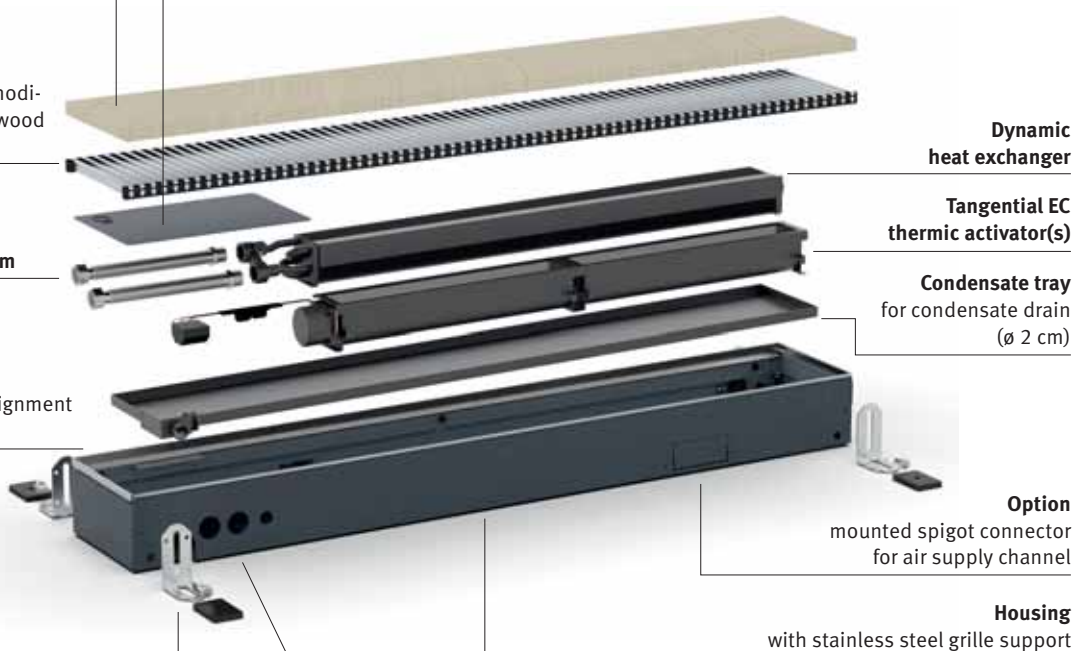
Fine adjustment

to max. 0.8 cm, for a perfect alignment with the finished floor

Fine adjustment 10 > 10.8 cm



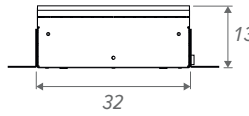
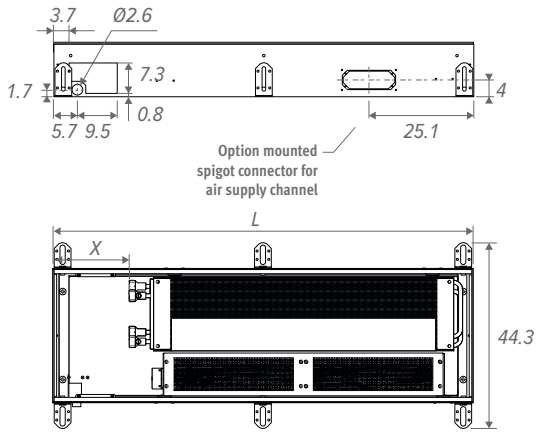
Feet with height adjustment 0 > 4.5 cm
Provided with acoustic decoupling.



Electric connection & Hydraulic connection (always left)

SUMMARY - CLIMA CANAL 13

DIMENSIONS (in cm)



L	L through-mounting	X
72.3	72.1	23.0
108.3	108.1	23.0
144.3	144.1	18.5
180.3	180.1	15.0

Building in-opening: +0.5 cm

HYDRAULIC CONNECTION

- 2-pipe: the two-pipe heat exchangers with single-sided connection are always connected to the left of a two-pipe installation
- 4-pipe: the 4-pipe heat exchanger with one-sided connection on the left always has to be connected to an installation with two separated hydraulic systems
- always install Clima Canal with the heat exchanger on the window or wall side
- 2 x 1/2" stainless steel hose included
- allow extra space for curtains, in between the window and the canal.
- The heat exchanger must always be kept accessible for maintenance purposes
- if the appliance is not mounted flat on the floor, the space between the bottom of the appliance and the floor should be filled with a stable filler material.

ELECTRIC CONNECTION

- clamp connector for 24VDC electrical connection, left side, to be connected via external power supply.
- control of speed activator(s) 0-10V

COMPOSITION

Cover plate

grille

several styles and colours in anodized aluminium and a range of wood finishes

Stainless steel flexible connections 1/2". Length 15 cm

Fine adjustment

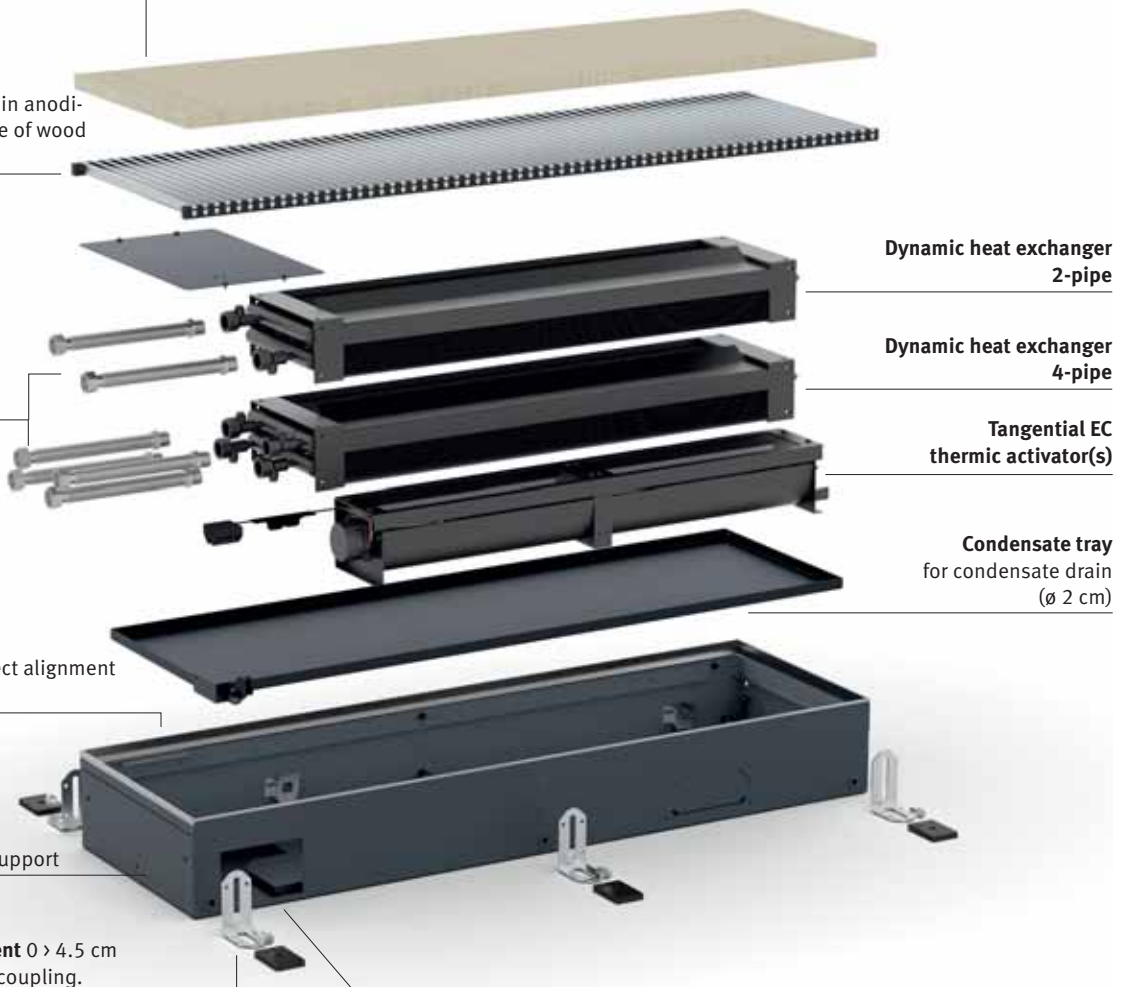
to max. 0.8 cm, for a perfect alignment with the finished floor

Housing

with stainless steel grille support

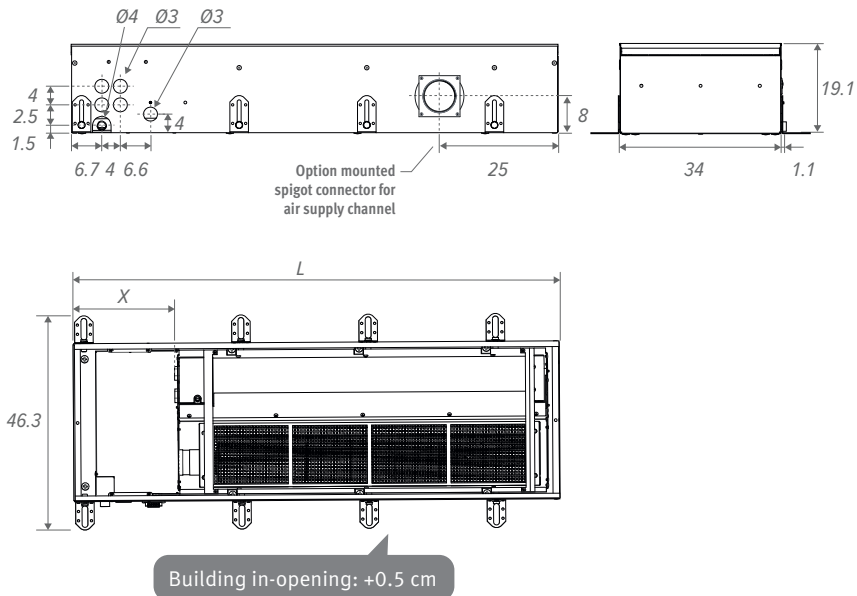
Feet with height adjustment 0 > 4.5 cm

Provided with acoustic decoupling.



CLIMA CANAL 19 - SUMMARY

DIMENSIONS (in cm)



HYDRAULIC CONNECTION

- 2-pipe: the two-pipe heat exchangers with single-sided connection are always connected to the left of a two-pipe installation
- 4-pipe: the 4-pipe heat exchanger with one-sided connection on the left always has to be connected to an installation with two separated hydraulic systems
- always install Clima Canal with the heat exchanger on the window or wall side
- 2 x 1/2" stainless steel hose included
- allow extra space for curtains, in between the window and the canal.
- The heat exchanger must always be kept accessible for maintenance purposes
- if the appliance is not mounted flat on the floor, the space between the bottom of the appliance and the floor should be filled with a stable filler material.

ELECTRIC CONNECTION

- clamp connector for 24VDC electrical connection, left side, to be connected via external power supply.
- control of speed activator(s) 0-10V

COMPOSITION

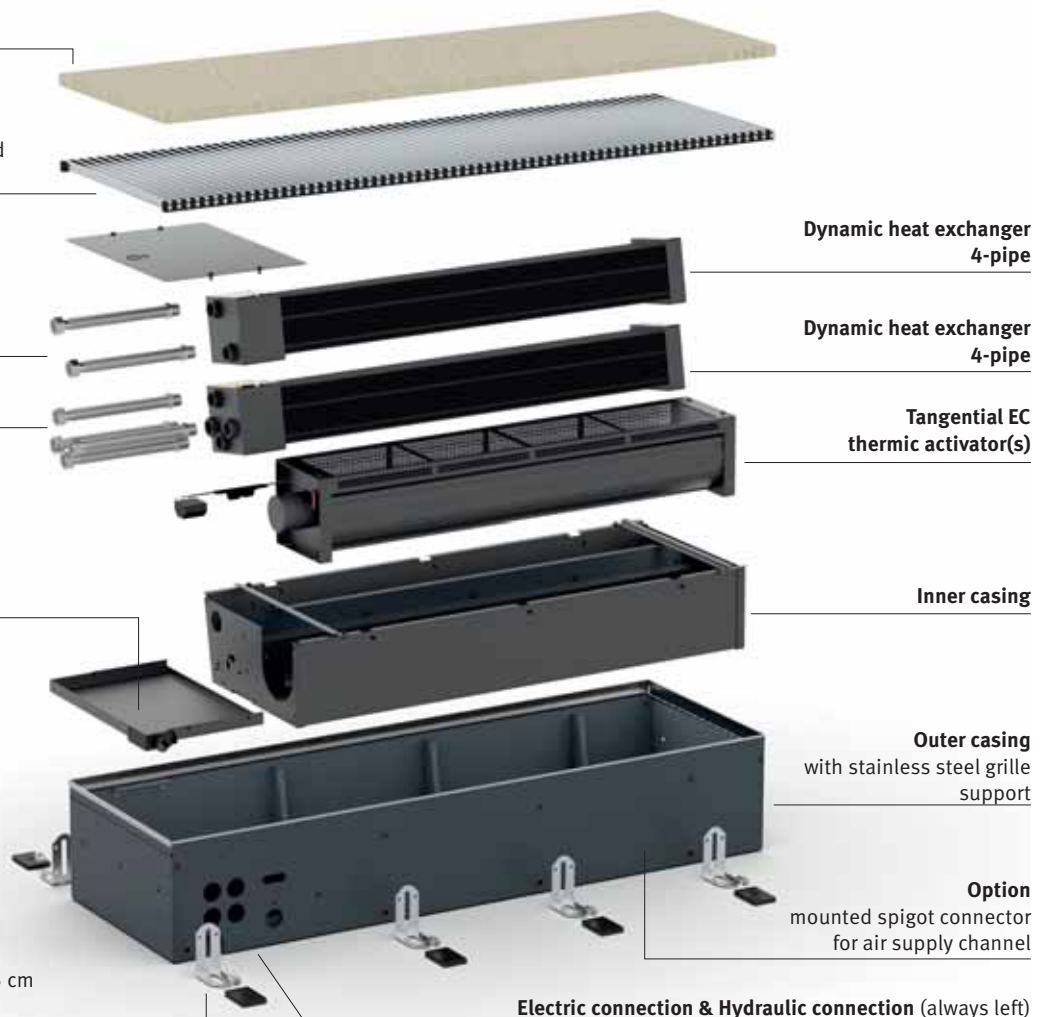
Cover plate

grille
several styles and colours in anodized aluminium and a range of wood finishes

Stainless steel flexible connections 1/2".
Length 15 cm

Condensate tray
for condensate drain (Ø 2 cm)

Feet with height adjustment 0 > 4.5 cm
Provided with acoustic decoupling.



OVERVIEW GRILLES - CLIMA CANAL 10-13-19

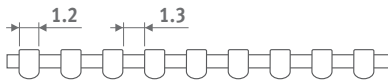
Wooden grilles



BON Oak
BOV Oak varnished



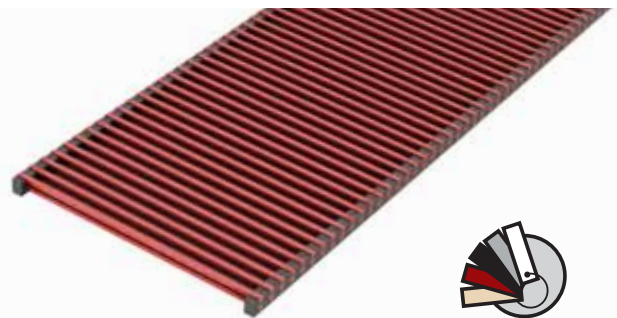
BBN Beech
BBV Beech varnished



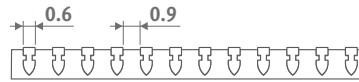
Aluminium grilles



BNA Alu. natural



BNC/XXX Alu. lacquered



To ensure perfect adherence of the lacquer coating, an extremely wear-resistant and UV-resistant polyester lacquer coating of the highest quality is used.
Only in glossy (code 2..) and special colours 006, 005, 026, 028.



Height 19
2- and 4-pipe

Height 13
2- and 4-pipe

Height 10
2-pipe

Height 08
2- pipe



P. 240

CLIMA CANAL - OPTIONS

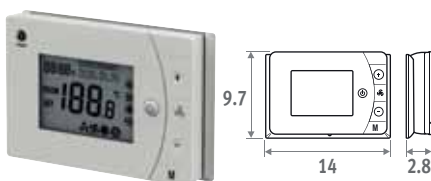
CLOCK THERMOSTATS HEATING / COOLING

The general characteristics in bold below are valid for the thermostats 8751.050013 - 8751.050012 - 8751.050009 - 8751.050017

- automatic thermostat for 2-pipe: heating/cooling or auto
- ventilator speed: min./med./max. or auto
- power supply 24 VDC
- output control(s) 0-10 VDC
- 1 clock thermostat per room
- programmable zones
- LCD display with background lighting
- protection category IP30

FOR WALL MOUNTING

Jaga clock thermostat for wall mounting



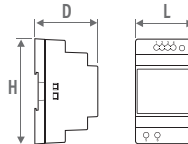
- 2 potential-free contacts heating/cooling (f.e. valve control 24 VDC or 230 VAC)
- with key card contact / window contact
- can be mounted on a junction box with screw holes at 6 cm

CODE		€
8751.050013	wall mounted	79,00

POWER SUPPLY DIN-RAIL MONTAGE



The guarantee is only valid if the original Jaga power supply is used.



CODE	H	L	D
7990.054	9.0	3.5	5.9
7990.055	9.0	5.3	5.9
7990.056	9.0	7.0	5.9
7990.057	9.0	10.3	5.9

- for DIN-rail or wall mounting
- conformity UL60950 / UL508 / IEC 60950-1 / TUV EN61558-2-16 / Class 2
- output voltage 24 VDC / input 100 - 240 VAC
- screw connection and LED indicator

CODE	Output Watts	Output current A	€
7990.054	30	1.5	38,00
7990.055	60	2.5	51,00
7990.056	92	3.9	74,00
7990.057	150	6.25	105,00

Required power = sum of the power consumption of the devices

MAXIMUM CABLE LENGTH

in function of the number of devices: see <http://www.jaga.com/en/products/trench-heating/clima-canal>

SEPARATE POWER SUPPLY

Waterproof power supply 24 VDC/30 Watt with waterproof cable gland.



Clima Canal 10: Not suitable for installation in the floor duct.

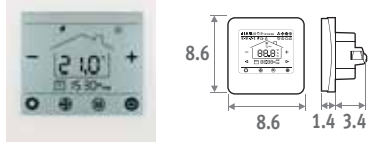
- conformity: UL60950 - EN 60950 / Class 2
- output voltage 24 VDC
- input voltage 100 - 240 VAC
- dimensions L 14.5 x B 4.5 x H 3.0 cm

CODE	output Watts	Output current A	€
37603.010002	30	1.25	74,00

FOR RECESSED MOUNTING

NEW

Jaga clock thermostat for recessed/panel mounting JRT-100TW



Touchscreen



Wi-Fi

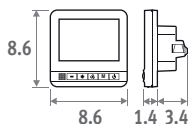


App

- LCD touchscreen with background lighting
- control via WIFI (smartphone app)
- programmable time zones 7 days (1-7)
- control valves 24 VDC heating/cooling
- thermostat to be mounted in a junction box
 - spacing holes at 6 cm
 - minimum depth 4.5 cm
 - inner dimension 5 x 5 cm or Ø 6 cm

CODE		€
8751.050017	recessed/panel mounted	139,00

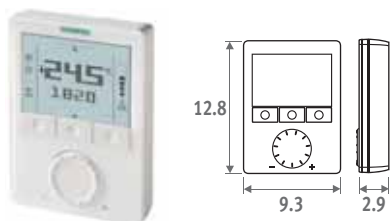
Jaga clock thermostat for recessed/panel mounting



- control valves 24 VDC heating/cooling
- thermostat to be mounted in a junction box
 - spacing holes at 6 cm
 - minimum depth 4.5 cm
 - inner dimension 5 x 5 cm or Ø 6 cm

CODE		€
8751.050012	recessed/panel mounted	83,00

Siemens clock thermostat for wall mounting



- unlimited adjustment possibilities: 74 features and diagnostic test
- For more information contact Jaga:
 ☎ +32 11 29 41 12 - ✉ export@jaga.be

CODE		€
8751.050009	wall mounted	247,00

PRE-ASSEMBLED JAGA DYNAMIC PRODUCT CONTROLLER (JDPC)

Multifunctional controller for dynamic heating and cooling devices provided with one or more built-in fans. The Jaga Dynamic Product Controller is pre-configured and assembled inside the device. The configuration options are device dependent, and are selected using the code shown on the sticker in the device.

- control per appliance
- control with operation and with sensor for water temperature, pre-configured and assembled by Jaga
- power supply 24 VDC
- ventilator settings:
 - o standby
 - o heating: 3 speeds (operates at water temperature >28°C, can easily be modified)
 - o cooling: 3 speeds (operates at water temperature <18°C, can easily be modified)
- 0-10 V input for building management system/thermostats/DPC.CC71-72

For more information contact Jaga
 ☎ +32 11 29 41 12 - ✉ export@jaga.be

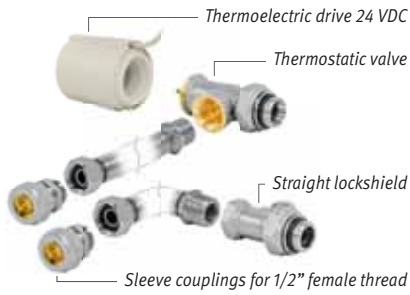
CODE		€
DPC.CC24	Heating	76,00
DPC.CC25	Heating and cooling	81,00

Touch operation



Product controller

CONNECTION SET WITH JAGA TWO-WAY VALVE 24 VDC



- 24 VDC thermolectric drive
- valve G1/2" x G1/2" 90°
- lockshield G1/2" x G1/2" 180°
- pressure drop graph Jaga valve: see p. 342

set 97

Kv max. 0.6

TWO PIPE

€

CODY.JA4.24.2...		24 VDC	80,00
CODY.JA4.10.2...		0...10 VDC	154,00

set 98

Kv 1.0 - without Pre-setting

TWO PIPE

€

CODY.WA4.24.2...		24 VDC	82,00
CODY.WA4.10.2...		0...10 VDC	156,00

fill in sleeve coupling code:
see p. 336

JAGA TWO-WAY VALVE AND THERMOELECTRIC DRIVE 230V



- only for mounting on the distributor, not in the Clima Canal
- with varistor to protect against power surge
- with position indicator (open/closed)

CODE	Description	€
7990.409	180° - G1/2" F / NG 230V 2Watts	86,00
7990.411	180° - G3/4" F / NG 230V 2Watts	97,00

CONNECTION SET WITH 2 LOCKSHIELDS G 1/2"



set 99

€

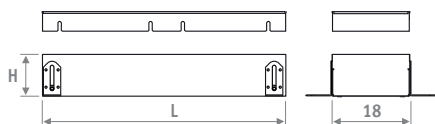
CODY.LOM.00.2...	35,00
------------------	--------------

fill in sleeve coupling code:
see p. 336

CLIMA CANAL 10-13-19 - OPTIONS

EMPTY HOUSING

To fill open spaces for a continuous installation.



- aluminium or Designo wooden grille
- casing with stainless steel grille support
- height adjustment:
Clima Canal 10: 10 > 14 cm
Clima Canal 13: 13 > 17 cm
Clima Canal 19: 19 > 23 cm
- fine adjustment for alignment with the finished floor
- cover plate

Clima Canal 10

ORDERING CODE		code	height	length	width	grille
CLCD.		010	072	18	BNA	
H	L	BNA	BNC/XXX	BOV		
		BON	BBV			
		BBN				
010	072	395,00	455,00	435,00		
	108	608,00	699,00	669,00		
	144	699,00	804,00	769,00		
	180	791,00	909,00	870,00		

Clima Canal 13

ORDERING CODE		code	height	length	width	grille
CCLD.		013	072	32	BNA	
H	L	BNA	BNC/XXX	BOV		
		BON	BBV			
		BBN				
013	070					
	100					
	120					
	140					
	170					
	200					
	230					
	280					

Clima Canal 19

ORDERING CODE		code	height	length	width	grille
CCAD.		019	072	18	BNA	
H	L	BNA	BNC/XXX	BOV		
		BON	BBV			
		BBN				
019	105	541,00				
	120	591,00				
	200	946,00				
	280	1192,00				

MOUNTED SPIGOT CONNECTOR FOR AIR SUPPLY CHANNEL

CLIMA CANAL 10 - 13

Height 4 x length 9 cm



CODE	€
/VEN	62,00

Add /VEN to the code of Clima Canal.
Example: CLCM. 010 072 18 /XXX /VEN

CLIMA CANAL 19

Diameter toevoer: ø8 - 10 - 12.5 cm



CODE	€
/VENA ø 08 cm	62,00
/VENB ø 10 cm	62,00
/VENC ø 12.5 cm	62,00

Add /VEN to the code of Clima Canal.
Example: CCAF. 019 105 34 /XXX /VEN

CORNER PIECE



- aluminium grille natural or lacquered
- casing with stainless steel grille support
- height adjustment:
Clima Canal 10: 10 > 14 cm
Clima Canal 13: 13 > 17 cm
Clima Canal 19: 19 > 23 cm
- fine adjustment for alignment with the finished floor

Clima Canal 10

ORDERING CODE		code	height	length	width	grille
CLCD.		010	025	18	BNA	
H	L	BNA	BNC/XXX	BOV		
		BON	BBV			
		BBN				
010	025	522,00	648,00			

Clima Canal 013

ORDERING CODE		code	height	length	width	grille
CCLD.		013	38	32	BNA	
H	L	BNA	BNC/XXX	BOV		
		BON	BBV			
		BBN				
013	025	522,00	648,00			

Clima Canal 019

ORDERING CODE		code	height	length	width	grille
CCAD.		019	40	34	BNA	
H	L	BNA	BNC/XXX	BOV		
		BON	BBV			
		BBN				
019	025	522,00	648,00			

FEET WITH HEIGHT ADJUSTMENT FOR RAISED FLOORS



- gelakt in donkergrijs RAL 7024
- gemakkelijke montage d.m.v. schroeven
- 1 set bevat 2 hoogteregelingen

Aantal sets per lengte Clima Canal 10

L 72 = 1 set
L 108 = 1 set
L 144 = 2 set(s)
L 180 = 2 set(s)

CODE	H	€/set
5209.05070000	5 > 7 cm	56,00
5209.08130000	8 > 13 cm	56,00
5209.13230000	13 > 23 cm	59,00
5209.20300000	20 > 30 cm	61,00

Number of sets per Clima Canal 13

L 70 = 1 set
L 100 = 1 set
L 120 = 1 set
L 140 = 2 set(s)
L 170 = 2 set(s)
L 200 = 2 set(s)
L 230 = 3 set(s)
L 280 = 3 set(s)

CODE	H	€/set
5213.05070000	5 > 7 cm	61,00
5213.08130000	8 > 13 cm	61,00
5213.13230000	13 > 23 cm	61,00
5213.20300000	20 > 30 cm	61,00



Number of sets per Clima Canal 19

L 105 = 1 set
L 120 = 1 set
L 200 = 2 set(s)
L 280 = 3 set(s)

CODE	H	€/set
5212.05070000	5 > 7 cm	61,00
5212.08130000	8 > 13 cm	61,00
5212.13230000	13 > 23 cm	61,00
5212.20300000	20 > 30 cm	61,00

2-PIPE - CLIMA CANAL 10

STANDARD DELIVERY

- casing in Sendzimir-galvanised steel sheet (RAL7024) with height adjustment and stainless steel grille support
- anodized aluminium grille(s)
- dynamic heat exchanger
- 2 stainless steel flexible connections 1/2", length 15 cm.
- thermal activator(s), (tangential mini activator)
- Feet with height adjustment 0 > 4.5 cm, provided with acoustic decoupling
- Cover plate



DIMENSIONS			CONTROL VOLTAGE	HEATING ROOM TEMPERATURE 20°C				COOLING TOTAL ROOM TEMPERATURE 27°C		COOLING SENSIBLE ROOM TEMPERATURE 27°C	COOLING (Non-condensing) ROOM TEMPERATURE 27°C	SOUND PRESSURE*	AIR FLOW	ELECTRIC POWER CON-SUMPTION	BNA / BON / BBN	BNC	BOV / BBV	ORDER CODE
H	L	B		U	75/65	55/45	45/35	35/30	7/12	7/12	16/18							
cm	cm	cm	V	Wattf	Wattf	Wattf	Wattf	Wattf	Wattf	Wattf								
010 072	19	2	276	165	108	68	65	42	30	14	24	0.5	730,00	839,00	803,00	CLCM .010 072 18 /XXX		
		4	496	296	195	123	148	96	66	15	37	0.8						
		6	699	417	275	173	244	161	104	23	52	1.3						
		8	891	531	350	220	348	234	144	28	68	2.1						
		10	1075	641	422	266	451	307	185	34	79	3.0						
108	19	2	569	339	224	141	135	87	62	15	42	0.6	1004,00	1154,00	1104,00	CLCM .010 108 18 /XXX		
		4	1021	609	401	253	302	197	135	19	75	1.3						
		6	1438	858	565	356	502	332	214	29	98	2.7						
		8	1834	1094	720	454	715	480	296	32	125	4.6						
		10	2214	1320	870	548	929	632	381	37	160	7.1						
144	19	2	894	533	351	221	211	135	97	16	66	1.1	1399,00	1609,00	1539,00	CLCM .010 144 18 /XXX		
		4	1605	957	631	397	474	309	212	20	112	2.1						
		6	2260	1348	888	559	788	521	336	30	150	4.0						
		8	2881	1718	1132	713	1124	754	465	35	193	6.6						
		10	3479	2075	1367	861	1457	992	598	39	239	10.1						
180	19	2	1219	727	479	302	287	184	132	18	84	1.2	1581,00	1819,00	1739,00	CLCM .010 180 18 /XXX		
		4	2188	1305	860	541	649	423	290	22	150	2.5						
		6	3082	1838	1211	763	1074	711	458	32	196	5.4						
		8	3929	2343	1543	972	1532	1028	634	37	250	9.1						
		10	4744	2829	1864	1174	1989	1354	816	41	320	14.1						

* Noise measurement according to ISO 3741:2010, 2 m from the device and with an assumed room attenuation of 8 dB(A) / room volume 100 m³ / reverberation time 0.5 sec.

fill in grille code

CLIMA CANAL 13 - 2-PIPE

STANDARD DELIVERY

- casing in Sendzimir-galvanised steel sheet (RAL7024) with height adjustment and stainless steel grille support
- anodized aluminium grille(s)
- dynamic heat exchanger
- 2 stainless steel flexible connections 1/2", length 15 cm.
- thermal activator(s), (tangential mini activator)
- Feet with height adjustment 0 > 4.5 cm, provided with acoustic decoupling
- Cover plate



DIMENSIONS			CONTROL VOLTAGE	HEATING ROOM TEMPERATURE 20 °C				COOLING TOTAL ROOM TEMPERATURE 27 °C		COOLING SENSIBLE ROOM TEMPERATURE 27 °C	COOLING (Non-condensing) ROOM TEMPERATURE 27 °C	SOUND PRESSURE*	AIR FLOW	ELECTRIC POWER CONSUMPTION	BNA / BON / BBN	BNC	BOV / BBV	ORDER CODE
H	L	B		75/65	55/45	45/35	35/30	7/12	7/12	16/18	dB(A)							
cm	cm	cm	V	Wattf	Wattf	Wattf	Wattf	Wattf	Wattf	Wattf								
013	070	32	2	313	187	123	77	147	104	67	16.0	35	1.0				CCLF.013 070 32 /XXX	
			4	692	413	272	171	275	197	122	19.0	44	1.6					
			6	1031	615	405	255	394	285	175	27.0	85	3.2					
			8	1331	794	523	329	492	361	224	35.0	117	5.9					
			10	1592	949	625	394	562	417	271	38.0	137	8.8					
100	32	2	593	354	233	147	278	197	128	20.0	44	1.0					CCLF.013 100 32 /XXX	
		4	1311	782	515	324	522	373	232	25.0	85	1.8						
		6	1955	1166	768	484	746	541	331	29.0	133	3.2						
		8	2523	1505	991	624	932	684	425	36.0	168	6.4						
		10	3017	1799	1185	747	1065	790	515	39.0	202	10.3						
120	32	2	780	465	306	193	366	259	168	20.0	49	1.4					CCLF.013 120 32 /XXX	
		4	1724	1028	677	427	686	491	305	26.0	114	2.4						
		6	2570	1533	1010	636	981	711	435	30.0	174	4.2						
		8	3318	1979	1303	821	1226	899	559	37.0	235	7.2						
		10	3967	2366	1558	982	1401	1039	677	40.0	273	10.6						
140	32	2	966	576	380	239	454	321	208	21.5	79	2.0					CCLF.013 140 32 /XXX	
		4	2137	1275	840	529	850	609	378	26.0	129	3.4						
		6	3186	1900	1252	788	1216	881	539	31.0	218	6.4						
		8	4113	2453	1616	1018	1520	1114	693	38.5	285	12.3						
		10	4917	2933	1932	1217	1736	1288	839	41.5	339	19.1						
170	32	2	1246	743	490	308	585	414	268	22.0	84	2.4					CCLF.013 170 32 /XXX	
		4	2757	1644	1083	682	1097	785	487	27.0	158	4.0						
		6	4110	2451	1614	1017	1569	1137	696	32.0	259	7.4						
		8	5305	3164	2084	1313	1960	1437	894	39.0	352	13.1						
		10	6343	3783	2492	1570	2239	1661	1082	42.0	410	19.4						
200	32	2	1527	910	600	378	717	507	328	23.0	93	2.4					CCLF.013 200 32 /XXX	
		4	3376	2014	1326	835	1343	962	596	28.5	199	4.2						
		6	5033	3002	1977	1245	1921	1392	852	32.5	307	7.4						
		8	6497	3875	2552	1608	2401	1760	1095	39.5	403	13.6						
		10	7768	4633	3052	1922	2742	2034	1325	42.5	475	20.9						
230	32	2	1807	1077	710	447	849	600	389	23.0	98	2.8					CCLF.013 230 32 /XXX	
		4	3996	2383	1570	989	1590	1138	706	29.0	228	4.8						
		6	5957	3552	2340	1474	2274	1647	1008	33.0	348	8.4						
		8	7689	4586	3021	1903	2841	2083	1295	40.0	470	14.4						
		10	9193	5483	3611	2275	3246	2407	1568	43.0	546	21.2						
280	32	2	2273	1356	893	563	1068	755	489	24.0	133	3.8					CCLF.013 280 32 /XXX	
		4	5028	2999	1975	1244	2000	1432	888	29.5	272	6.4						
		6	7496	4470	2945	1855	2862	2073	1269	34.0	433	11.6						
		8	9676	5771	3801	2394	3575	2621	1630	41.0	587	20.3						
		10	11569	6900	4545	2863	4084	3029	1973	44.0	683	30.0						

* Noise measurement according to ISO 3741:2010, 2 m from the device and with an assumed room attenuation of 8 dB(A) / room volume 100 m³ / reverberation time 0.5 sec.

fill in grille code

4-PIPE ■ CLIMA CANAL 13

STANDARD DELIVERY

- casing in Sendzimir-galvanised steel sheet (RAL7024) with height adjustment and stainless steel grille support
- anodized aluminium grille(s)
- dynamic heat exchanger
- 4 stainless steel flexible connections 1/2", length 15 cm.
- thermal activator(s), (tangential mini activator)
- Feet with height adjustment 0 > 4.5 cm, provided with acoustic decoupling
- Cover plate



DIMENSIONS			CONTROL VOLTAGE	HEATING ROOM TEMPERATURE 20°C				COOLING TOTAL ROOM TEMPERATURE 27°C		COOLING SENSIBLE ROOM TEMPERATURE 27°C	COOLING (Non-condensing) ROOM TEMPERATURE 27°C	SOUND PRESSURE*	AIR FLOW	ELECTRIC POWER CON-SUMPTION	BNA / BON / BBN	BNC	BOV / BBV	ORDER CODE
H	L	B		U	75/65	55/45	45/35	35/30	7/12	7/12	16/18							
cm	cm	cm	V	Wattf	Wattf	Wattf	Wattf	Wattf	Wattf	Wattf								
013 070	32	2	268	160	105	66	141	100	65	16.0	35	1.0					QCLF.013 070 32 /XXX	
		4	535	319	210	132	264	189	117	19.0	44	1.6						
		6	755	450	297	187	381	276	169	27.0	85	3.2						
		8	927	553	364	229	480	352	219	35.0	117	5.9						
		10	1053	628	414	260	553	410	267	38.0	137	8.8						
100	32	2	509	303	200	126	267	189	122	20.0	44	1.0					QCLF.013 100 32 /XXX	
		4	1014	605	398	251	501	359	222	25.0	85	1.8						
		6	1431	853	562	354	721	523	320	29.0	133	3.2						
		8	1758	1048	690	435	909	666	415	36.0	168	6.4						
		10	1995	1190	784	494	1049	778	507	39.0	202	10.3						
120	32	2	669	399	263	166	352	249	161	20.0	49	1.4					QCLF.013 120 32 /XXX	
		4	1334	796	524	330	659	472	293	26.0	114	2.4						
		6	1881	1122	739	466	949	687	421	30.0	174	4.2						
		8	2311	1378	908	572	1195	876	545	37.0	235	7.2						
		10	2624	1565	1031	649	1379	1023	666	40.0	273	10.6						
140	32	2	829	494	326	205	436	308	200	21.5	79	2.0					QCLF.013 140 32 /XXX	
		4	1653	986	649	409	817	585	363	26.0	129	3.4						
		6	2332	1391	916	577	1176	852	521	31.0	218	6.4						
		8	2865	1709	1125	709	1482	1086	676	38.5	285	12.3						
		10	3252	1940	1278	805	1710	1268	826	41.5	339	19.1						
170	32	2	1069	638	420	265	562	398	258	22.0	84	2.4					QCLF.013 170 32 /XXX	
		4	2133	1272	838	528	1053	754	468	27.0	158	4.0						
		6	3008	1794	1182	744	1517	1099	672	32.0	259	7.4						
		8	3695	2204	1452	914	1911	1401	872	39.0	352	13.1						
		10	4195	2502	1648	1038	2205	1636	1065	42.0	410	19.4						
200	32	2	1310	781	514	324	688	487	315	23.0	93	2.4					QCLF.013 200 32 /XXX	
		4	2612	1558	1026	646	1290	923	573	28.5	199	4.2						
		6	3684	2197	1447	912	1857	1346	823	32.5	307	7.4						
		8	4526	2699	1778	1120	2341	1716	1067	39.5	403	13.6						
		10	5138	3064	2018	1271	2701	2003	1305	42.5	475	20.9						
230	32	2	1550	924	609	384	815	576	373	23.0	98	2.8					QCLF.013 230 32 /XXX	
		4	3091	1843	1214	765	1527	1093	678	29.0	228	4.8						
		6	4360	2600	1713	1079	2198	1592	975	33.0	348	8.4						
		8	5356	3194	2104	1325	2770	2031	1263	40.0	470	14.4						
		10	6080	3626	2389	1505	3196	2371	1544	43.0	546	21.2						
280	32	2	1950	1163	766	483	1025	725	470	24.0	133	3.8					QCLF.013 280 32 /XXX	
		4	3890	2320	1528	963	1921	1375	853	29.5	272	6.4						
		6	5486	3272	2155	1358	2766	2004	1226	34.0	433	11.6						
		8	6740	4020	2648	1668	3486	2556	1590	41.0	587	20.3						
		10	7651	4563	3006	1893	4022	2983	1943	44.0	683	30.0						

* Noise measurement according to ISO 3741:2010, 2 m from the device and with an assumed room attenuation of 8 dB(A) / room volume 100 m³ / reverberation time 0.5 sec.

fill in grille code

CLIMA CANAL 19 - 2-PIPE

STANDARD DELIVERY

- casing in Sendzimir-galvanised steel sheet (RAL7024) with height adjustment and stainless steel grille support
- anodized aluminium grille(s)
- dynamic heat exchanger
- 2 stainless steel flexible connections 1/2", length 15 cm.
- thermal activator(s), (tangential mini activator)
- Feet with height adjustment $\Delta > 4.5$ cm, provided with acoustic decoupling
- Cover plate



DIMENSIONS			CONTROL VOLTAGE	HEATING ROOM TEMPERATURE 20°C				COOLING TOTAL ROOM TEMPERATURE 27°C		COOLING SENSIBLE ROOM TEMPERATURE 27°C	COOLING (Non-condensing) ROOM TEMPERATURE 27°C	SOUND PRESSURE*	AIR FLOW	ELECTRIC POWER CON-SUMPTION	BNA	BNC	BOV / BBV	ORDER CODE
H	L	B		U	75/65	55/45	45/35	35/30	7/12	7/12	16/18							
cm	cm	cm	V	Wattf	Wattf	Wattf	Wattf	Wattf	Wattf	Wattf								
019	105	34	2	1245	743	489	308	415	267	164	17.0	97	1.5	1926,00			CCAF .019 105 34 /XXX	
			4	1965	1172	772	486	800	522	321	21.0	167	2.7					
			6	2567	1531	1008	635	1170	775	474	27.0	236	4.8					
			8	3102	1850	1218	768	1535	1030	626	35.0	309	9.3					
			10	3593	2143	1411	889	1895	1290	777	40.0	351	15.0					
120	34		2	1548	923	608	383	516	332	204	19.0	82	3.2	2094,00			CCAF .019 120 34 /XXX	
			4	2442	1457	959	604	994	649	398	22.0	179	6.7					
			6	3189	1902	1253	789	1454	962	589	28.0	260	12.1					
			8	3854	2299	1514	954	1907	1280	778	36.0	351	18.4					
			10	4464	2662	1754	1105	2354	1602	965	41.0	401	24.0					
200	34		2	3021	1802	1187	748	1008	648	398	21.1	179	4.6	3488,00			CCAF .019 200 34 /XXX	
			4	4768	2844	1873	1180	1942	1267	778	24.6	346	9.4					
			6	6227	3714	2446	1541	2839	1879	1151	30.5	496	16.9					
			8	7525	4488	2956	1862	3723	2499	1519	38.5	660	27.7					
			10	8716	5198	3424	2157	4597	3128	1885	43.5	752	38.9					
280	34		2	4495	2681	1766	1112	1499	964	592	22.5	276	6.1	4850,00			CCAF .019 280 34 /XXX	
			4	7094	4231	2787	1756	2889	1885	1157	26.1	513	12.1					
			6	9264	5525	3639	2293	4224	2796	1712	32.1	732	21.7					
			8	11196	6677	4398	2770	5540	3718	2260	40.1	969	37.0					
			10	12967	7734	5094	3209	6839	4655	2804	45.1	1103	53.8					

* Noise measurement according to ISO 3741:2010, 2 m from the device and with an assumed room attenuation of 8 dB(A) / room volume 100 m³ / reverberation time 0.5 sec.

fill in grille code

4-PIPE - CLIMA CANAL 19

STANDARD DELIVERY

- casing in Sendzimir-galvanised steel sheet (RAL7024) with height adjustment and stainless steel grille support
- anodized aluminium grille(s)
- dynamic heat exchanger
- 4 stainless steel flexible connections 1/2", length 15 cm.
- thermal activator(s), (tangential mini activator)
- Feet with height adjustment 0 > 4.5 cm, provided with acoustic decoupling
- Cover plate



DIMENSIONS			CONTROL VOLTAGE	HEATING ROOM TEMPERATURE 20°C				COOLING TOTAL ROOM TEMPERATURE 27°C		COOLING SENSIBLE ROOM TEMPERATURE 27°C	COOLING (Non-condensing) ROOM TEMPERATURE 27°C	SOUND PRESSURE*	AIR FLOW	ELECTRIC POWER CON-SUMPTION	BNA	BNC	BOV / BBV	ORDER CODE
H	L	B		U	75/65	55/45	45/35	35/30	7/12	7/12	16/18							
cm	cm	cm	V	Wattf	Wattf	Wattf	Wattf	Wattf	Wattf	Wattf								
019	105	34	2	830	495	326	205	378	243	149	17.0	97	1.5	2099,00			QCAF .019 105 34 /XXX	
			4	1310	781	515	324	728	475	291	21.0	167	2.7					
			6	1711	1021	672	423	1064	704	431	27.0	236	4.8					
			8	2068	1233	812	512	1395	937	569	35.0	309	9.3					
			10	2395	1428	941	593	1722	1172	706	40.0	351	15.0					
120	34		2	1032	615	405	255	469	302	185	19.0	82	3.2	2245,00			QCAF .019 120 34 /XXX	
			4	1628	971	640	403	904	590	362	22.0	179	6.7					
			6	2126	1268	835	526	1322	875	536	28.0	260	12.1					
			8	2570	1532	1009	636	1734	1164	707	36.0	351	18.4					
			10	2976	1775	1169	736	2140	1457	878	41.0	401	24.0					
200	34		2	2014	1201	791	498	916	589	362	21.1	179	4.6	3665,00			QCAF .019 200 34 /XXX	
			4	3179	1896	1249	787	1765	1152	707	24.6	346	9.4					
			6	4151	2476	1631	1027	2581	1708	1046	30.5	496	16.9					
			8	5017	2992	1971	1241	3385	2272	1381	38.5	660	27.7					
			10	5810	3465	2283	1438	4179	2844	1714	43.5	752	38.9					
280	34		2	2997	1787	1177	742	1363	877	538	22.5	276	6.1	5073,00			QCAF .019 280 34 /XXX	
			4	4729	2821	1858	1170	2626	1713	1052	26.1	513	12.1					
			6	6176	3683	2426	1528	3840	2542	1556	32.1	732	21.7					
			8	7464	4451	2932	1847	5036	3380	2055	40.1	969	37.0					
			10	8645	5156	3396	2139	6217	4231	2549	45.1	1103	53.8					

* Noise measurement according to ISO 3741:2010, 2 m from the device and with an assumed room attenuation of 8 dB(A) / room volume 100 m³ / reverberation time 0.5 sec.

fill in grille code

jaga

CLIMATE DESIGNERS

Jaga International
Verbindingslaan 16
B-3590 Diepenbeek

Tel.: +32 (0)11 29 41 12
Fax: +32 (0)11 29 41 60
export@jaga.com

The information in this price list is correct at the time of printing.
Jaga reserves the right to change product specification at any time in line
with our policy of continuous improvement and innovation.
All prices in Euro, exclude VAT. Prices valid from 1st January 2020.
Replaces all existing price lists.