



jaga



Eyecatchers

IGUANA CORNER

€ 2019.EX



IGUANA CORNER

Warmth with a symbolic value. Inspired by a child's drawing, an interpretation of the brightly shining sun, transformed into a fully functional work of art.

The only thing the Iguana Corner needs to provide heat: a quiet little corner. Also available in heights 125 and 150 cm, specially designed for installation above the bathtub.

Also available as "Plus" version for low flow temperatures.



IGUANA CORNER traffic white 333, optional towel rail



Eyeatchers

From design to art

IGUANA CORNER

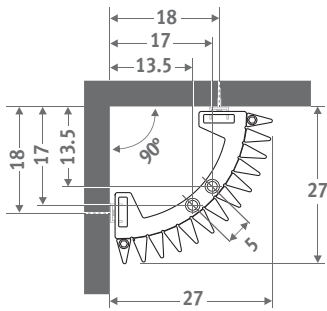


IGUANA CORNER

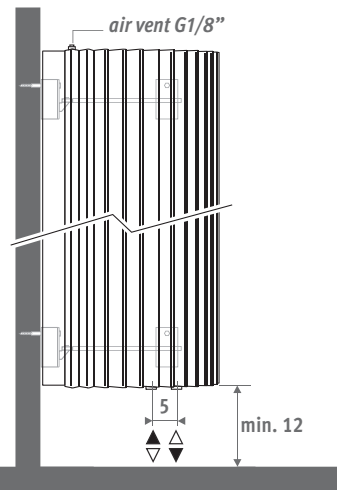
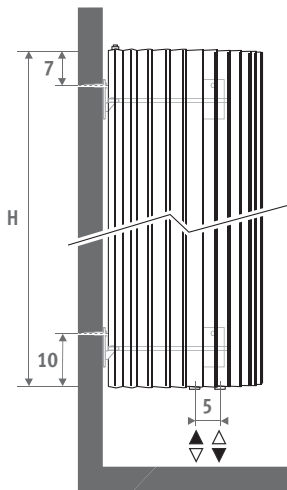
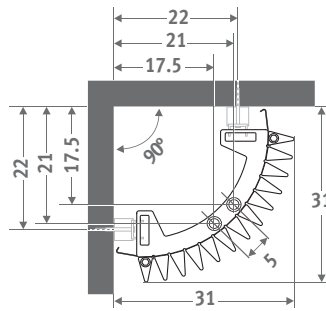


DIMENSIONS (in cm)

CORNER



CORNER PLUS



DELIVERY

- central connection MM underneath
- wall fixing
- 2 chrome-plated air vents G1/8"
- Iguana Plus is supplied with two side panels

COLOURS

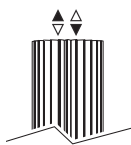
Environmentally friendly, scratch-resistant, high UV resistant powder coating.

Standard colours:

- traffic white RAL 9016 (333), smooth satin matt
 - sandblast grey (001), fine texture metallic
- Other colours: see colour chart.

CONNECTION

Top connection:
specify code 45 or 54 instead of MM (1° number is flow).
No insert pipe should be ordered. Provide an air vent on the central heating pipework.



One pipe connection:
connection sets 41, 42, 48 or 49.
Max. 2 radiators per heating ring.

CONNECTION SETS

To guarantee the output of the Iguana models and to limit the pressure drop, Jaga recommends the use of 15/1 minimum diameter pipes.

Connection set to the wall with a Deco-Pro valve

TRV head and sleeve couplings included.



set 48

BRUSHED STAINLESS STEEL €

CODE.PW3.PS.1... 231,20

set 41

CHROME €

CODE.PW3.AW.1... 148,40

CODE.PW3.AC.1... 162,60

fill in sleeve coupling code

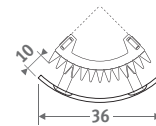
Precision metal tube 15/1	115
Precision metal tube 16/1	116
Precision metal tube 18/1	118
RPE/ALU tube 16/2	316
RPE/ALU tube 18/2	318

Other connections:

See chapter "Connection sets and valves" for all connection options and technical information

OPTIONS

Towel rail / hat rack in chrome-plated aluminium



Hat rack consists of a towel rail and 5 coat hooks

CODE	€
Towel rail	
9087.043466	216,70



IGUANA WITH TOWEL RACK:
combines functionality with a high heat efficiency.

CODE	L	L radiator	€
Hat rack			
9087.044466			249,70



Iguana+
COLLECTION
40% more warmth

IGUANA CORNER



CORNER

code	height	length	colour	conn.
CORW .	125	027	. XXX	/MM
fill in colour code —┘				

CORNER PLUS

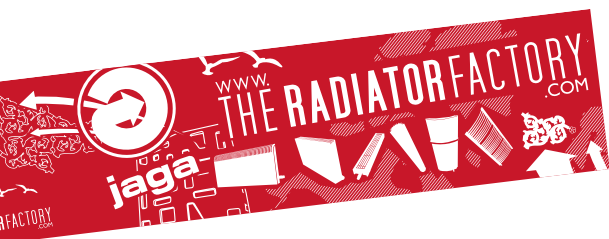
code	height	length	colour	conn.
COPW .	125	031	. XXX	/MM
fill in colour code —┘				

L	H	Watts		€	
		75/65	55/45	st. colour	other
027	125	723	334	725,20	870,30
	150	834	384	743,30	892,10
	180	967	443	797,50	956,80
	192	1021	467	828,50	994,10
	200	1058	483	847,40	1016,90
	220	1149	523	897,30	1076,90
	240	1242	564	949,40	1139,20

L	H	Watts		€	
		75/65	55/45	st. colour	other
031	125	860	436	942,90	1131,50
	150	990	501	966,40	1159,50
	180	1145	577	1036,60	1243,80
	192	1207	607	1077,00	1292,40
	200	1249	627	1101,50	1321,80
	220	1352	677	1166,50	1399,60
	240	1458	729	1234,40	1481,10

EN442 output at 20°C room temperature





Jaga International
Verbindingslaan 16
B-3590 Diepenbeek

Tel.: +32 (0)11 29 41 12
Fax: +32 (0)11 29 41 60
export@jaga.com

The information in this price list is correct at the time of printing.
Jaga reserves the right to change product specification at any time in line
with our policy of continuous improvement and innovation.
All prices in Euro, exclude VAT. Prices valid from 1 January 2019.
Replaces all existing price lists.